

STR-D550Z/D650Z/DE605/DE705

SERVICE MANUAL

US Model
STR-D550Z/D650Z/DE605/DE705


Canadian Model
STR-D650Z/DE605/DE705

Australian Model

E Model
STR-DE705



Photo : STR-DE705

Manufactured under license from Dolby Laboratories Licensing Corporation.
"DOLBY" and the double-D symbol  are trademarks of Dolby Laboratories Licensing Corporation.

SPECIFICATIONS

Audio power specifications

POWER OUTPUT AND TOTAL HARMONIC DISTORTION

With 8-ohm load, both channels driven, from 20 - 20,000 Hz, STR-DE705/STR-D650Z rated 120 watts, STR-DE605/STR-D550Z rated 100 watts per channel, minimum RMS power, with no more than 0.3 % total harmonic distortion from 250 milliwatts to rated output. (US model only)

Amplifier section

POWER OUTPUT

Stereo mode 8 ohms 20 Hz - 20 kHz,
STR-DE705/STR-D650Z:
120 W + 120 W
STR-DE605/STR-D550Z:
100 W + 100 W

Surround mode	8 ohms at 1 kHz, THD 0.8 %	
	STR-DE705 STR-D650Z	STR-DE605 STR-D550Z
Front	120 W/ch	100 W/ch
Center (only in the DOLBY SUR and THEATER modes)	120 W	100 W
Rear	50 W/ch	50 W/ch
Dynamic power output	STR-DE705/STR-D650Z: 160 W + 160 W, 8 ohms 225 W + 225 W, 4 ohms STR-DE605/STR-D550Z: 155 W + 155 W, 8 ohms 220 W + 220 W, 4 ohms	
Harmonic distortion at rated output	Less than 0.3 %	

Frequency response

PHONO: RIAA equalization curve
±0.5 dB
CD, TAPE, DAT/MD, VIDEO 1, 2:
10 Hz - 50 kHz, ⁰dB

Inputs

	Sensitivity	Impedance	S/N (weighting network, input level)
PHONO (MM)	2.5 mV	50 kilohms (A, 2.5 mV)	75 dB**
CD	200 mV		
TAPE, DAT/MD, VIDEO 1, 2, TV	150 mV	50 kilohms (A, 250 mV)	82 dB**
			** '78 IHF

— Continued on page 2 —

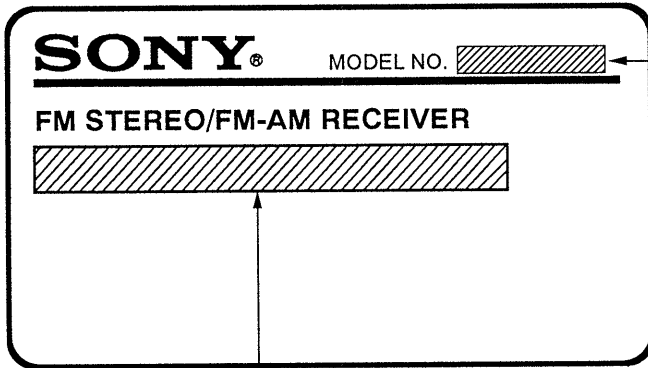
FM STEREO/FM-AM RECEIVER
SONY®

Outputs	REC OUT VIDEO 1, 2 (AUDIO) OUT: Voltage 150 mV, Impedance 10 kilohms MIX OUT Voltage: 2 V Impedance: 1 kilohms HEADPHONES: Accepts low and high impedance headphones	AM tuner section	Power requirements	Australian model: 240 V AC, 50 Hz US, Canadian, E model : 120 V AC, 60 Hz
Muting	- 20 dB	Tuning range	Power consumption	STR-DE705/STR-D650Z: US, E model : 230 W Canadian model: 325 VA Australian Model: 230 W STR-DE605/STR-D550Z: US, E model : 220 W Canadian model: 320 VA
BASS BOOST	+10 dB at 70 Hz	Antenna	AC outlets	Australian model: 1 switched, total 100 W US, Canadian, E model : 2 switched, total 120 W
TONE	±8 dB at 100 Hz and 10 kHz	Usable sensitivity	Dimensions	430 x 157 x 355 mm (17 x 6 1/4 x 14 inches)
FM tuner section		S/N	Mass (Approx.)	STR-DE705/STR-D650Z: 10.0 kg (22 lb 1 oz) STR-DE605/STR-D550Z: 9.7 kg (22 lb 7 oz)
Tuning range	87.5 - 108.0 MHz	Harmonic distortion	Supplied accessories	FM wire antenna (1) AM loop antenna (1) Remote commander (remote) (1) Size AA (R6) batteries (2) Audio/Video cable (1) (US and Canadian and E STR-DE705 only) Control S cord (1) (US and Canadian and E STR-DE705 only)
Antenna terminals	75 ohms, unbalanced	Selectivity	Design and specifications are subject to change without notice.	
Sensitivity	Mono: 18.3 dBf, 4.5 μV Stereo: 38.3 dBf, 45 μV	At 9 kHz: 35 dB At 10 kHz: 40 dB		
Usable sensitivity	11.2 dBf, 2 μV (IHF)	* You can change the AM tuning interval to 9 kHz. After tuning in any AM station, turn off the receiver. Hold down the PRESET TUNING + button and press the POWER button. All preset stations will be erased when you change the interval. To reset the interval to 10 kHz, repeat the procedure.		
S/N	Mono: 76 dB Stereo: 70 dB	Video section		
Harmonic distortion at 1 kHz	Mono: 0.3 % Stereo: 0.5 %	Inputs		
Separation	45 dB at 1 kHz	Outputs		
Frequency response	30 Hz - 15 kHz ^{+0.5} / ₋₂ dB	General System		
Selectivity	60 dB at 400 kHz	Tuner section: PLL quartz-locked digital synthesizer system Preamplifier section: Low- noise NF type equalizer Power amplifier section: Pure-complimentary SEPP		

TABLE OF CONTENTS

specifications	1
1. GENERAL	4
2. EXPLANATION OF CONTROL TERMINALS	7
3. DIAGRAMS	
3-1. Circuit Boards Location	9
3-2. Printed Wiring Boards (Surround Section)	10
3-3. Schematic Diagram (Surround Section)	13
3-4. Schematic Diagram (AMP Section)	16
3-5. Printed Wiring Boards (AMP Section)	19
3-6. Schematic Diagram (Display Section)	25
3-7. Printed Wiring Boards (Display Section)	27
4. EXPLODED VIEWS	
4-1. Front Panel Section	32
4-2. Chassis Section	33
5. ELECTRICAL PARTS LIST	35

MODEL IDENTIFICATION

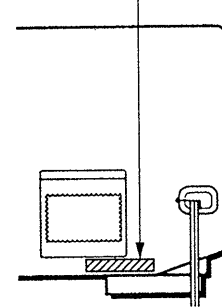


US, Canadian model : AC 120V 60Hz
 Australian model : AC 240V~50Hz

STR-D550Z
 STR-D650Z
 STR-DE605
 STR-DE705

— BACK PANEL —

4-981-655-0 □ : DE705 : US
 4-981-655-1 □ : DE705 : CND
 4-981-655-2 □ : DE705 : AUS
 4-981-655-3 □ : DE605 : US
 4-981-655-4 □ : DE605 : CND
 4-981-655-5 □ : D650Z : US
 4-981-655-6 □ : D650Z : CND
 4-981-655-7 □ : D550Z





• For detailed E model of refer to US model.


Note :

- Abbreviation
- CND : Canadian model
- AUS : Australian model

SAFETY-RELATED COMPONENT WARNING!!

COMPONENTS IDENTIFIED BY MARK  OR DOTTED LINE WITH MARK  ON THE SCHEMATIC DIAGRAMS AND IN THE PARTS LIST ARE CRITICAL TO SAFE OPERATION. REPLACE THESE COMPONENTS WITH SONY PARTS WHOSE PART NUMBERS APPEAR AS SHOWN IN THIS MANUAL OR IN SUPPLEMENTS PUBLISHED BY SONY.

ATTENTION AU COMPOSANT AYANT RAPPORT À LA SÉCURITÉ!

LES COMPOSANTS IDENTIFIÉS PAR UNE MARQUE  SUR LES DIAGRAMMES SCHÉMATIQUES ET LA LISTE DES PIÈCES SONT CRITIQUES POUR LA SÉCURITÉ DE FONCTIONNEMENT. NE REMPLACER CES COMPOSANTS QUE PAR DES PIÈCES SONY DONT LES NUMÉROS SONT DONNÉS DANS CE MANUEL OU DANS LES SUPPLÉMENTS PUBLIÉS PAR SONY.

SAFETY CHECK-OUT

After correcting the original service problem, perform the following safety check before releasing the set to the customer:

Check the antenna terminals, metal trim, "metallized" knobs, screws, and all other exposed metal parts for AC leakage. Check leakage as described below.

LEAKAGE TEST

The AC leakage from any exposed metal part to earth ground and from all exposed metal parts to any exposed metal part having a return to chassis, must not exceed 0.5 mA (500 microampers). Leakage current can be measured by any one of three methods.

1. A commercial leakage tester, such as the Simpson 229 or RCA WT-540A. Follow the manufacturers' instructions to use these instruments.
2. A battery-operated AC milliammeter. The Data Precision 245 digital multimeter is suitable for this job.

3. Measuring the voltage drop across a resistor by means of a VOM or battery-operated AC voltmeter. The "limit" indication is 0.75 V, so analog meters must have an accurate low-voltage scale. The Simpson 250 and Sanwa SH-63Trd are examples of a passive VOM that is suitable. Nearly all battery operated digital multimeters that have a 2V AC range are suitable. (See Fig. A)

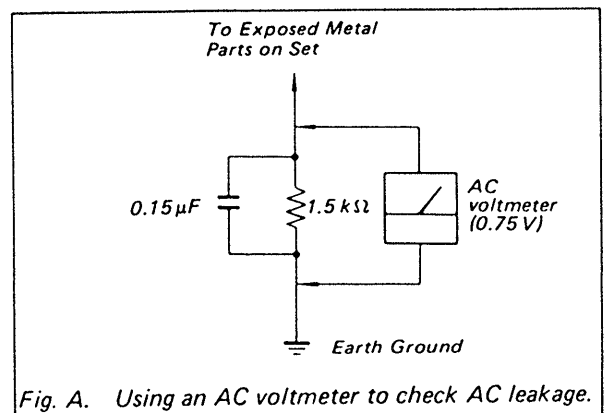


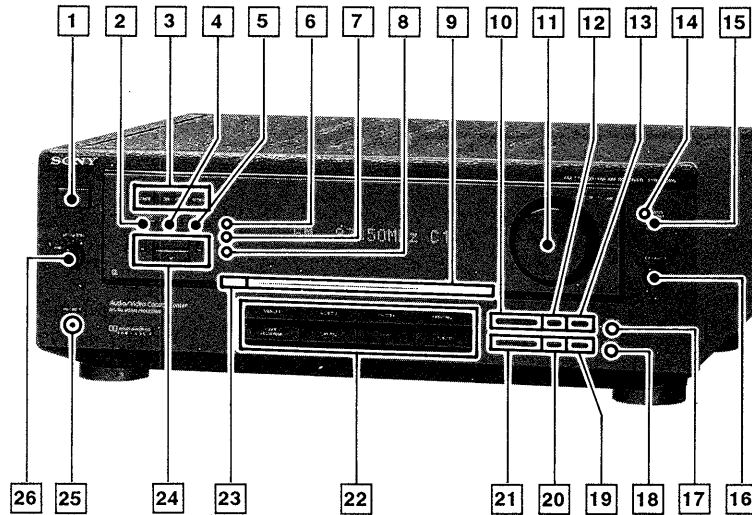
Fig. A. Using an AC voltmeter to check AC leakage.

SECTION 1 GENERAL

LOCATION AND FUNCTION OF CONTROLS

[Front Panel]

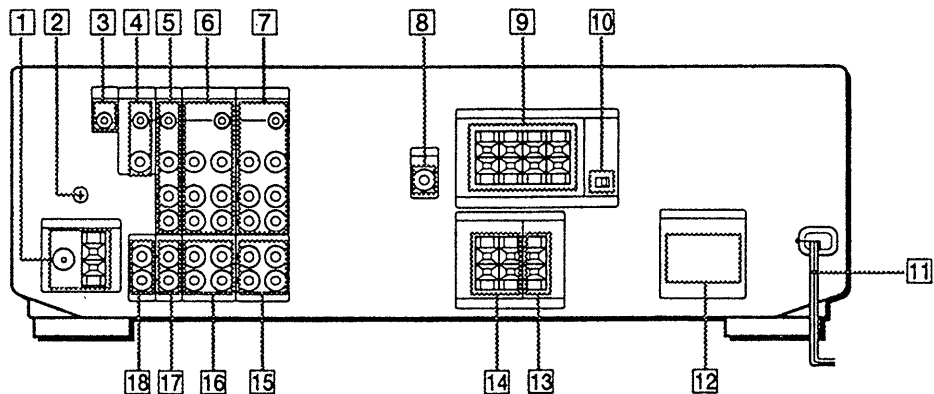
Photo : STR-DE705



- | | |
|--|--|
| <p>1 POWER switch</p> <p>2 TONE ON/OFF switch</p> <p>3 SOUND FIELD buttons
 GENRE button
 ON/OFF button
 MODE button</p> <p>4 CENTER MODE switch</p> <p>5 DPC MODE switch</p> <p>6 SUR indicator</p> <p>7 TONE indicator</p> <p>8 INDEX indicator</p> <p>9 Preset numbers buttons
 1 - 0 button</p> <p>11 MASTER VOLUME control</p> <p>10 PRESET TUNING buttons
 - button
 + button</p> <p>12 SHIFT button</p> <p>13 FM MODE switch</p> <p>14 BASS BOOST indicator</p> <p>15 BASS BOOST button</p> <p>16 BALANCE control</p> | <p>17 DISPLAY button</p> <p>18 MEMORY button</p> <p>19 LEVEL switch</p> <p>20 FM/AM button</p> <p>21 TUNING/INDEX SELECT buttons
 - button
 + button</p> <p>22 FUNCTION buttons buttons
 VIDEO 1 button
 VIDEO 2 button
 TV/DBS button
 PHONO button
 TAPE MONITOR button
 DAT/MD button
 CD button
 TUNER button</p> <p>23 DIRECT button</p> <p>24 Digital processing control buttons
 < button
 ^ button
 v button
 > button</p> <p>25 PHONES jack</p> <p>26 SPEAKERS selector</p> |
|--|--|

This section is extracted from instruction manual.

[Rear Panel]



- 1 ANTENNA (AM/FM)
- 2 *h* ground terminal
- 3 S-LINK CTRL A1 jack (US and Canadian STR-DE705 only)
- 4 MONITOR
- 5 TV/DBS
- 6 VIDEO 2
- 7 VIDEO 1

- 8 MIX OUT
- 9 FRONT SPEAKERS (A/B)
- 10 IMPEDANCE SELECTOR (STR-DE705 and STR-D650Z only)
- 11 AC power cord
- 12 SWITCHED AC OUTLETS (Outlet shape and position varies according to destination)

- 13 SURROUND SPEAKERS (CENTER)
- 14 SURROUND SPEAKERS (REAR)
- 15 TAPE MONITOR
- 16 DAT/MD
- 17 CD
- 18 PHONO

Remote Button Descriptions

For buttons not described on previous pages and buttons with names different from the buttons on the main unit.

Remote Button	Operates	Function	Remote Button	Operates	Function
0-9	Receiver	Selects preset numbers.	RMS DIRECTION	Tape deck	Selects tape direction (for tape decks with the RMS* function.)
	CD player/MD deck/LD player	Selects track numbers. 0 selects track 10.	RMS CLEAR	Tape deck	Clears RMS* program (for tape decks with the RMS function.)
	TV/VCR	Selects channel numbers.	RMS DIRECTION ◀/▶	Tape deck	Programs tracks (tape deck with the RMS* function only).
CH/PRESET +/-	Receiver	Scans and selects preset stations.	ENTER	TV/VCR	Changes channels when used with 0-9.
	TV/VCR	Selects preset channels.	TV/VIDEO	TV/VCR	Selects input signal: TV input or video input.
INDEX	Receiver	Selects station index names for index select tuning.	VISUAL POWER	TV/VCR/LD player	Turns on or off the power.
D. SKIP	CD player	Skips discs (CD player with multi-disc changer only.)	TV CONTROL ON	TV	Turns on the TV, switches the input to "TV," and sets the remote to operate the TV.
◀◀/▶▶	CD player	Searches tracks (forward or backward).	-/-	TV	Selects the channel entry mode, either one or two digit (in Europe only).
	Tape deck/MD deck/VCR/LD player	Fast forwards or rewinds.	SUB CH +/-	TV	Selects preset channels for the small picture.**
◀◀/▶▶	CD player/MD deck/LD player	Skips tracks.	POSITION	TV	Changes the position of the small picture.**
	CD player/Tape deck/MD deck/LD player/VCR	Pauses play or record. (Also starts recording with components in record standby.)	SWAP	TV	Swaps the small and the large picture.**
▶	CD player/Tape deck/MD deck/LD player/VCR	Starts play.	P IN P	TV	Activates the picture-in-picture function.**
■	CD player/Tape deck/MD deck/LD player/VCR	Stops play.	JUMP	TV	Jumps back and forth between the previous and current channels.
◀	Tape deck	Starts play on the reverse side.	ANT TV/VTR	VCR	Selects output signal from the antenna terminal: TV signal or VCR program.
●	Tape deck	Sets tape decks to the record standby mode.	MASTER VOL +/-	TV	Normally, adjusts the master volume of the receiver. If TV CONTROL ON was pressed, it adjusts the volume on the TV.
● + ▶	Tape deck/MD deck/VCR	Starts recording when pressed with ▶ (or ◀ on tape deck).	MUTING	TV	Normally, mutes the sound from the receiver. If TV CONTROL ON was pressed, the sound on the TV itself is muted.
			SLOPE	—	Not applicable.
			BAND	—	Not applicable.

* RMS: Random Music Sensor

** Only for Sony TVs with the picture-in-picture function

SECTION 2 EXPLANATION OF IC TERMINALS

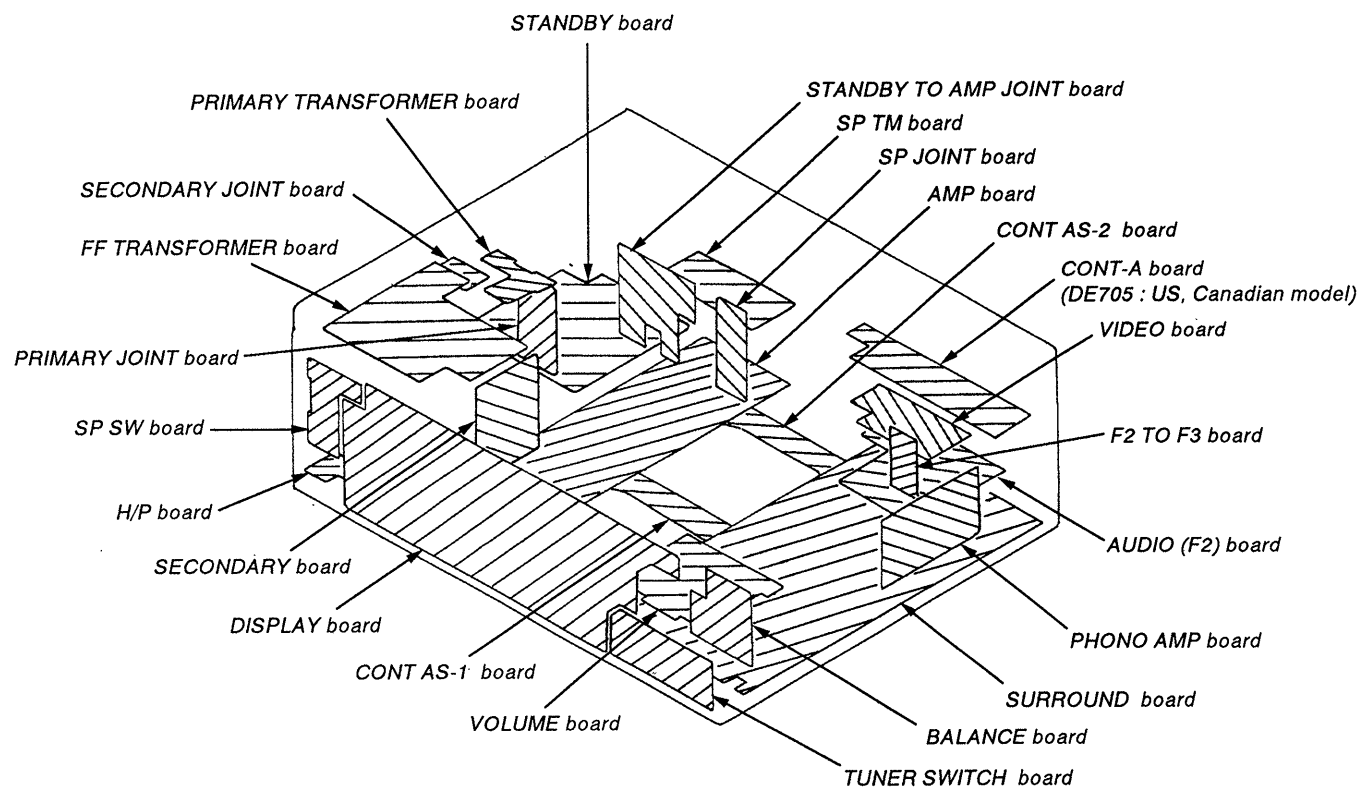
IC104 MB90673PF-G-156 (SYSTEM CONTROL)

Pin No.	Pin name	I/O	Description
1	V-A	O	Video A control.
2	V-B	O	Video B control.
3	KEY-IN	I	key input 1.
4	KEY-IN	I	key input 2.
5	KEY-IN	I	key input 3.
6	KEY-IN	I	key input 4.
7	KEY-IN	I	key input 5.
8	KEY-IN	I	key input 6.
9	KEY-IN	I	key input 7.
10	DATA IN	I	PLL data input.
11	GND	—	Ground.
12	FL-LATCH	O	Fluorescent indicator tube latch output.
13	POWER RY	O	Power relay drive.
14	RM IN	I	SIRCS signal input.
15	BRID RY	O	Bridgable relay drive.
16	SURR RY	O	Surround relay drive.
17	CENTER RY	O	Center relay drive.
18	SP RY	O	Speaker relay drive.
19	SP-OFF IN	I	Speaker OFF DET.
20	UART	—	Not used. (Ground)
21	UART	—	Not used. (Ground)
22	UART	—	Not used. (Ground)
23	FL-CLR	O	Fluorescent indicator tube latch clear output.
24	FL-DATA	O	Fluorescent indicator tube data output.
25	FL-CLK	O	Fluorescent indicator tube clock output.
26	PROTECT-IN	I	Protect DET input.
27	4-8-IN	I	4-8 input.
28	AVcc-5V	—	Power supply. (+5V)
29	AVREF-5V	—	Reference voltage. (+5V)
30	AVREF-0V	—	Reference voltage. (+5V)
31	GND	—	Ground.
32	AD IN2	I	Tuner key input 2.
33	NC	—	Not used. (Ground)
34	Vss-GND	—	Ground.
35	AD IN1	I	Tuner key input 1.
36	ST-BY	O	Standby LED drive.
37	VRLED	O	Volume LED drive.
38	VOL +	O	Volume + control.
39	VOL -	O	Volume - control.
40	PULL UP	—	Pull up terminal.

Pin No.	Pin name	I/O	Description
41	5V	–	+5V.
42	5V	–	+5V.
43	GND	–	Ground.
44	5V	–	+5V.
45	STOP	I	Stop input.
46	NC	–	Not used. (Ground)
47	NC	–	Not used. (Ground)
48	NC	–	Not used. (Ground)
49	CTRAIN	I	Control A input.
50	TV	I	TV input.
51	VIDEO1	I	Video 1 input.
52	VIDEO2	I	Video 2 input.
53	KEY-OUT	O	Key output.
54	KEY-OUT	O	Key output.
55	KEY-OUT	O	Key output.
56	KEY-OUT	O	Key output.
57	KEY-OUT	O	Key output.
58	KEY-OUT	O	Key output.
59	CTRAOUT	O	Control A output.
60	V-E	O	Video E control.
61	S-OUT	O	Status output.
62	RESET	I	System reset input.
63	V _{ss} -GND	–	Ground.
64	OSC	I	System clock OSC. (4MHz)
65	OSC	O	System clock OSC. (4MHz)
66	V _{cc} -5V	–	Power supply. (+5V)
67	T-LATCH	O	Tone latch output.
68	S-LATCH	O	Surround latch output.
69	S-MUTE	O	Surround mute output.
70	F-MUTE	O	Function mute output.
71	SW3-1	–	Not used. (Ground)
72	BASS BOOST	O	Bass boost drive.
73	POWER KEY IN	I	Power key input.
74	LED-DATA	O	LED data output.
75	CLK	O	Serial clock output.
76	DATA	O	Serial data output.
77	PLL-LATCH	O	PLL latch output.
78	A STOP	I	Auto stop DET input.
79	TUNER-MUTE	O	Tuner mute control output.
80	STEREO	I	Stereo DET input.

SECTION 3 DIAGRAMS

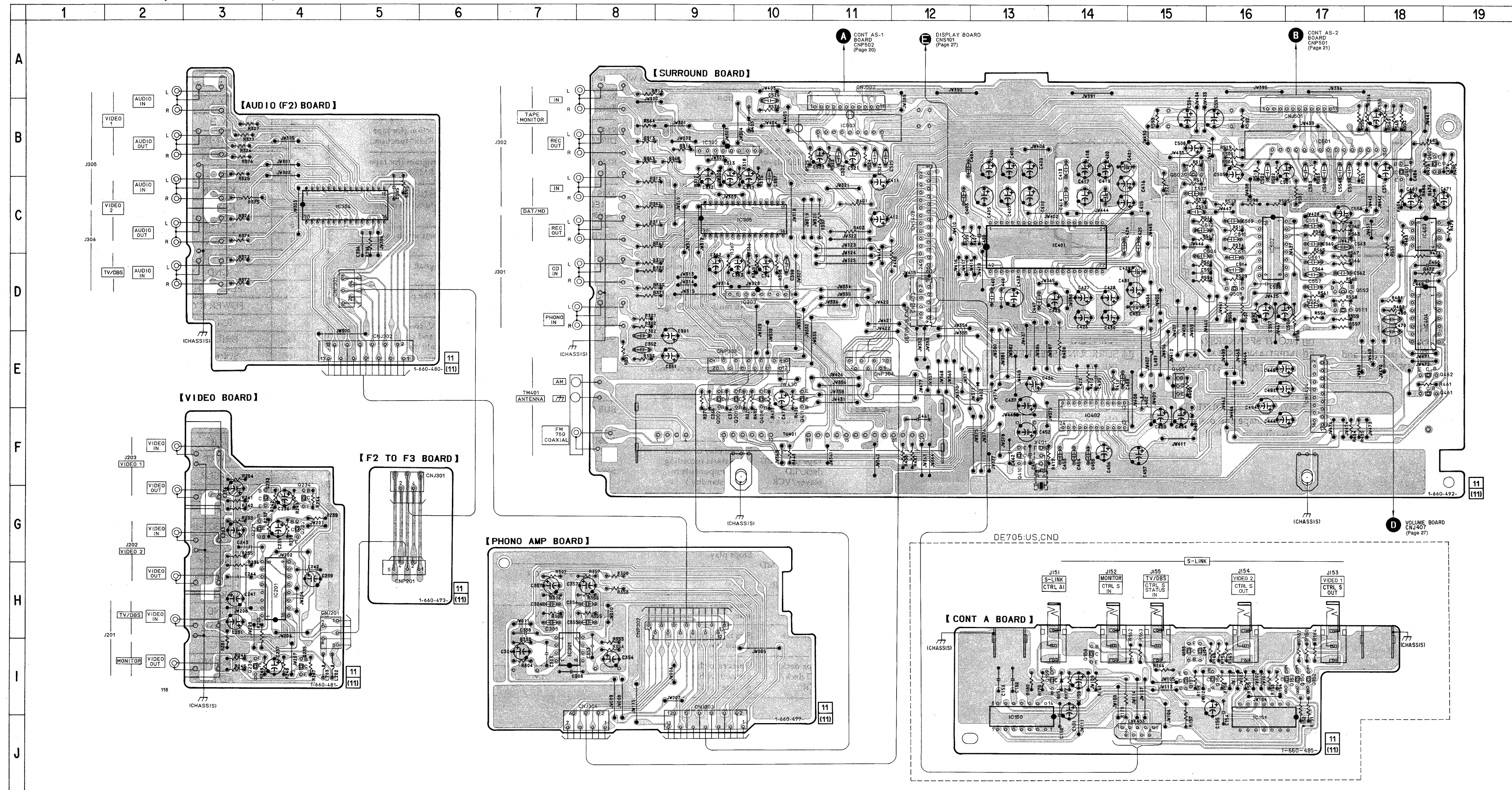
3-1. CIRCUIT BOARDS LOCATION



3-2. PRINTED WIRING BOARDS (SURROUND SECTION)

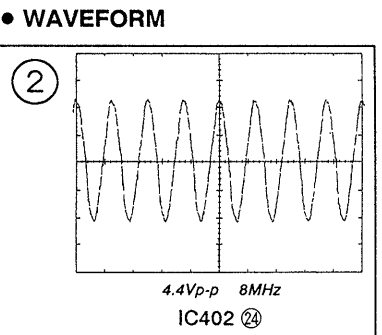
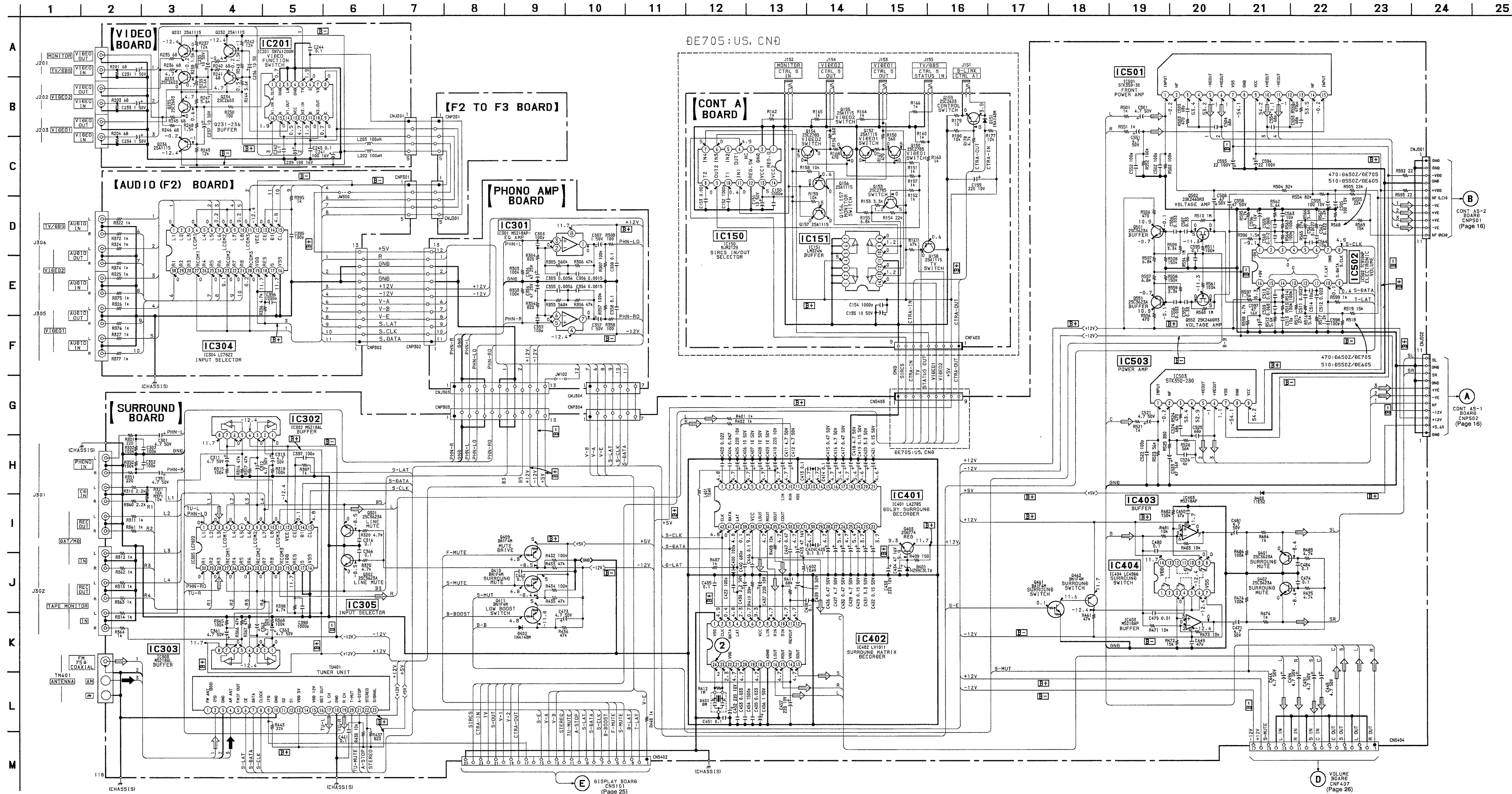
● SEMICONDUCTOR LOCATION

Ref. No.	Location	Ref. No.	Location
D151	I-14	Q156	I-16
D401	F-15	Q157	I-15
D402	E-13	Q158	I-14
D403	B-10	Q159	I-14
		Q231	G-3
IC150	J-13	Q232	G-4
IC151	I-16	Q233	G-4
IC201	H-4	Q234	G-4
IC301	I-7	Q235	I-4
IC302	B-9	Q236	I-3
IC303	D-10	Q301	E-10
IC304	C-5	Q302	E-9
IC305	C-10	Q401	F-13
IC401	C-14	Q402	C-18
IC402	F-14	Q403	E-15
IC403	D-18	Q409	E-10
IC404	E-18	Q410	F-13
IC501	B-17	Q411	E-10
IC502	C-6	Q461	F-18
IC503	B-11	Q462	F-18
Q150	J-17	Q501	D-16
Q152	J-17	Q502	B-15
Q153	J-17	Q551	E-17
Q154	I-15	Q552	D-17
Q155	I-15		



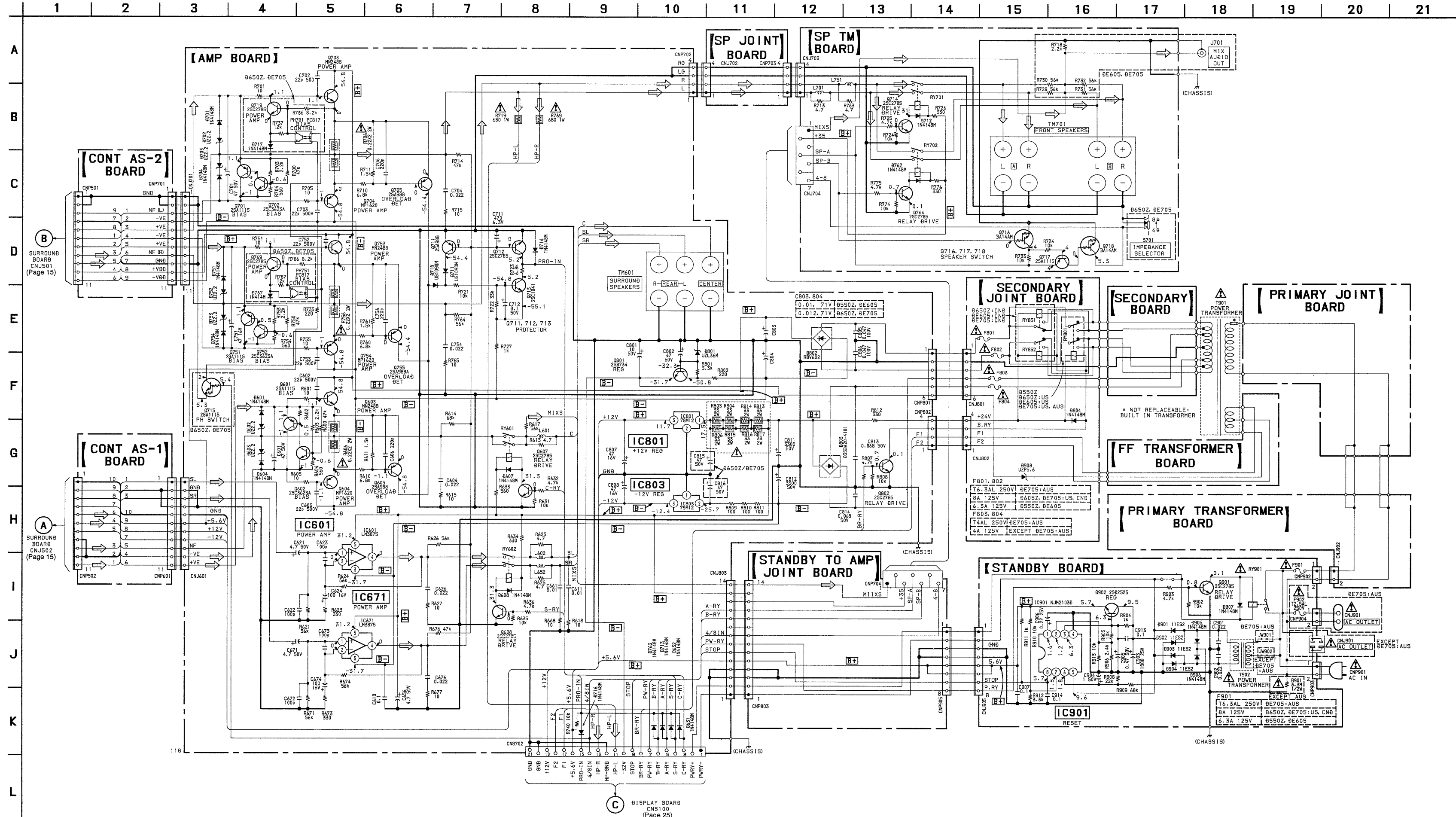
Note:

- : parts extracted from the component side.
- △ : internal component.
- ▨ : Pattern from the side which enables seeing. (The other layers' patterns are not indicated)
- For detailed E model of refer to US model.
- Abbreviation
CND : Canadian
AUS : Australian

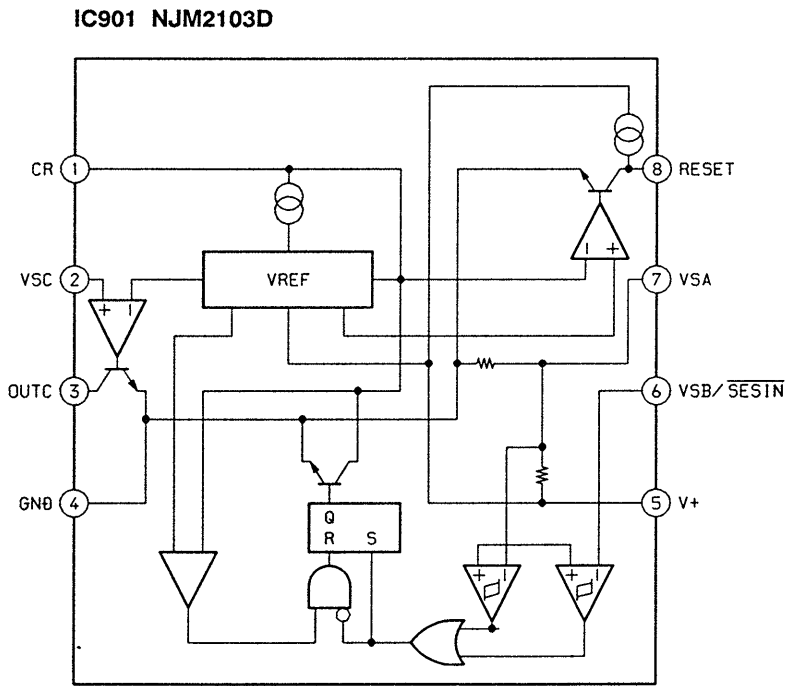


- Note :
- All capacitors are in μF unless otherwise noted. pF: μF 50WV or less are not indicated except for electrolytics and tantalums.
 - All resistors are in Ω and $\frac{1}{4}W$ or less unless otherwise specified.
 - Δ : internal component.
 - \square : panel designation.
 - B+** : B+ Line
 - B-** : B- Line
 - Voltage and waveforms are dc with respect to ground under no-signal conditions.
 - no mark : TUNER
 - Voltages are taken with a VOM (Input impedance 10M Ω). Voltage variations may be noted due to normal production tolerances.
 - Waveforms are taken with an oscilloscope. Voltage variations may be noted due to normal production tolerances.
 - Circled numbers refer to waveforms.
 - Signal path.
 - \rightarrow : FM
 - \Rightarrow : AM
 - For detailed E model of refer to US model.
 - Abbreviation
CND : Canadian
AUS : Australian

3-4. SCHEMATIC DIAGRAM (AMP SECTION)



• IC BLOCK DIAGRAM – AMP SECTION –



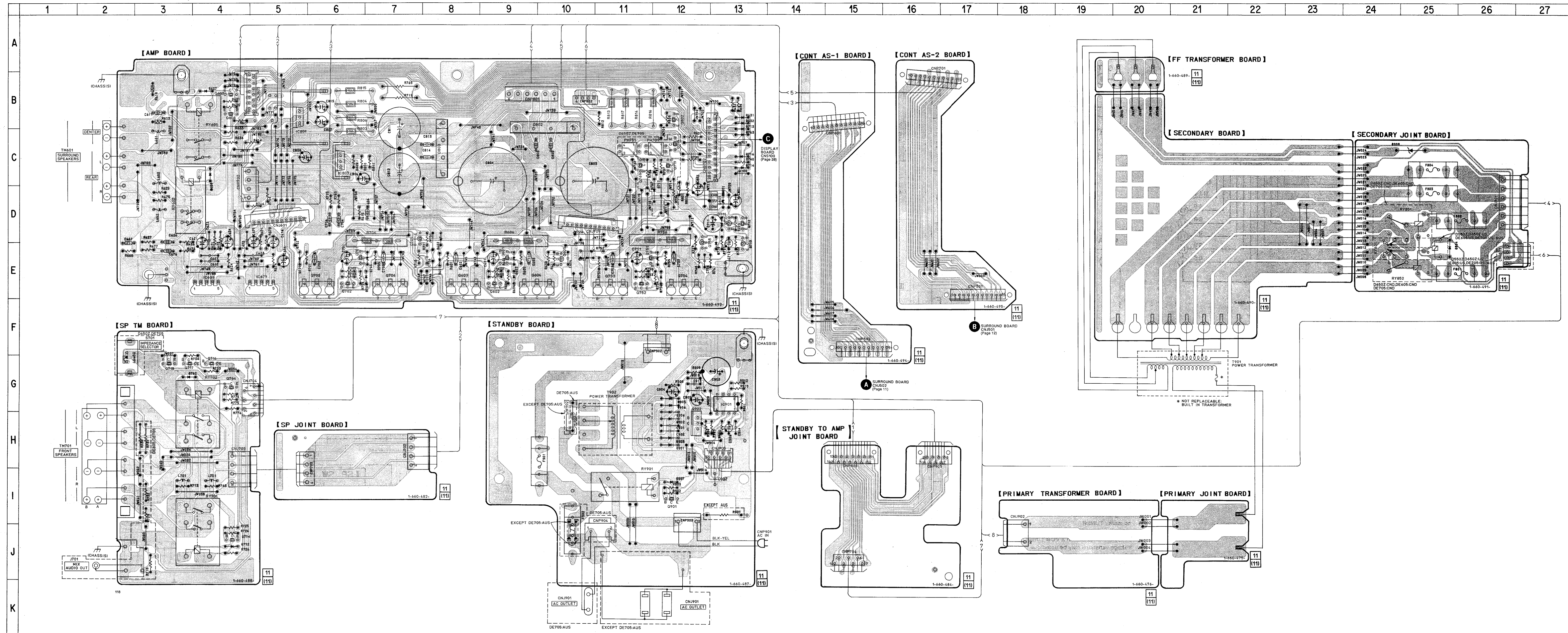
Note :

- All capacitors are in μF unless otherwise noted. pF: μF 50WV or less are not indicated except for electrolytics and tantalums.
- All resistors are in Ω and $\frac{1}{4}W$ or less unless otherwise specified.
- : nonflammable resistor.
- : panel designation.

Note :
The components identified by mark or dotted line with mark are critical for safety. Replace only with part number specified.

Note :
Les composants identifiés par une marque ou une ligne pointillée avec une marque sont critiques pour la sécurité. Ne les remplacer que par une pièce portant le numéro spécifié.

- **B+** : B+ Line
- **B-** : B- Line
- Voltage and waveforms are dc with respect to ground under no-signal conditions. no mark : TUNER
- Voltages are taken with a VOM (Input impedance 10M Ω). Voltage variations may be noted due to normal production tolerances.
- Signal path. : FM
- For detailed E model of refer to US model.
- Abbreviation
CND : Canadian
AUS : Australian



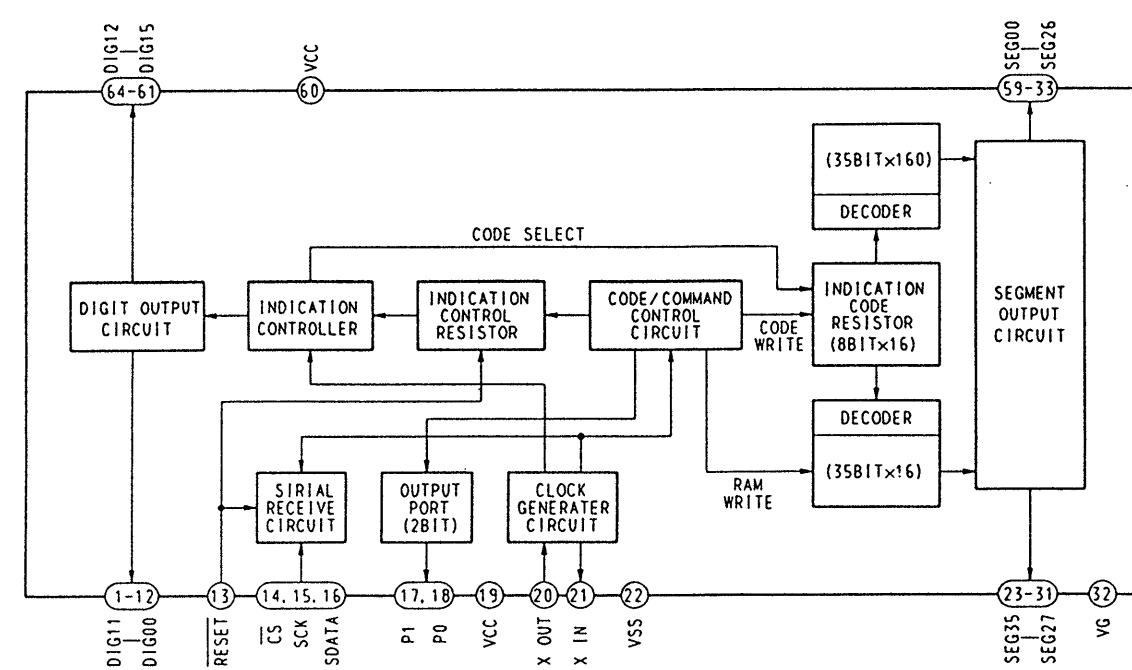
● SEMICONDUCTOR LOCATION

Ref. No.	Location	Ref. No.	Location
D601	E - 8	PH701	C - 11
D602	E - 8	PH751	C - 12
D603	E - 9		
D604	E - 9	Q601	E - 9
D607	B - 4	Q602	E - 9
		Q603	E - 8
D608	C - 4	Q604	E - 9
D631	B - 13	Q605	E - 10
D632	B - 13		
D701	E - 5	Q607	B - 4
D702	E - 5	Q608	B - 4
		Q701	E - 6
D703	E - 7	Q702	E - 6
D704	E - 6	Q703	E - 6
D710	E - 13		
D711	D - 13	Q704	E - 7
D712	D - 13	Q705	E - 7
		Q711	D - 13
D713	B - 13	Q712	D - 13
D714	C - 13	Q713	E - 13
D716	C - 13		
D717	D - 12	Q714	J - 4
D751	E - 10	Q715	C - 12
		Q716	G - 4
D752	E - 10	Q717	G - 3
D753	E - 12	Q718	G - 3
D754	E - 12		
D762	G - 3	Q719	C - 12
D763	B - 13	Q751	E - 11
		Q752	E - 11
D767	D - 12	Q753	E - 11
D801	D - 13	Q754	E - 12
D802	C - 10		
D803	C - 8	Q755	E - 12
D804	E - 25	Q764	G - 4
		Q769	C - 11
D901	H - 12	Q801	D - 13
D902	H - 12	Q802	B - 12
D903	H - 12		
D904	H - 12	Q901	I - 12
D905	G - 12	Q902	H - 12
D906	G - 12		
D907	I - 12		
D908	C - 25		
IC601	E - 4		
IC671	E - 5		
IC801	B - 5		
IC803	C - 6		
IC901	G - 13		

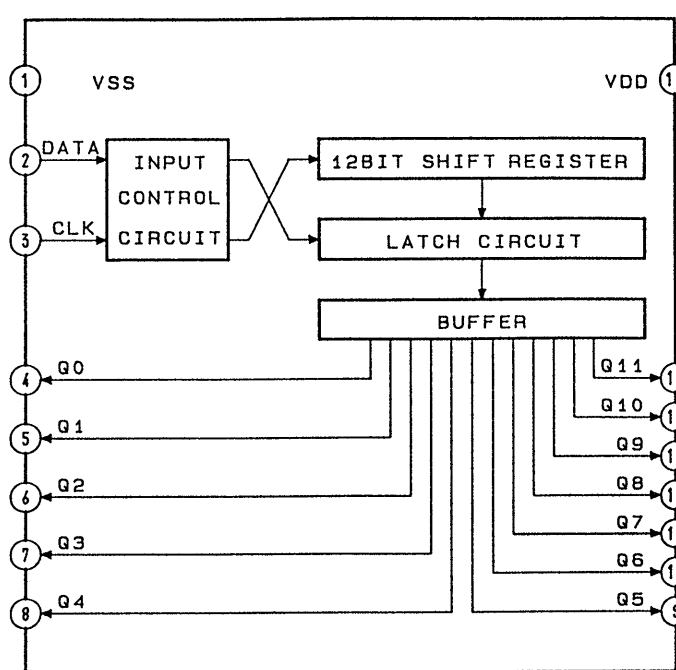
Note:
 ○ : parts extracted from the component side.
 ▨ : Pattern from the side which enables seeing. (The other layers' patterns are not indicated).
 * For detailed E model of refer to US model.
 • Abbreviation
 CND : Canadian
 AUS : Australian

• IC BLOCK DIAGRAMS – DISPLAY SECTION –

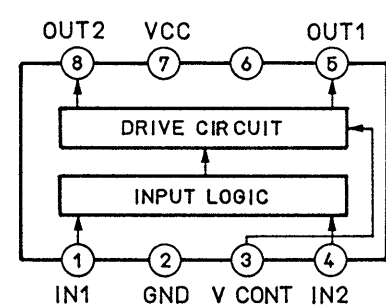
IC105 M66004M6FP



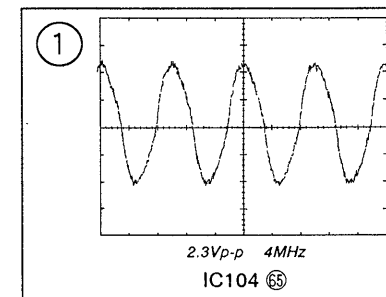
IC101 M50253P



IC103 LB1639

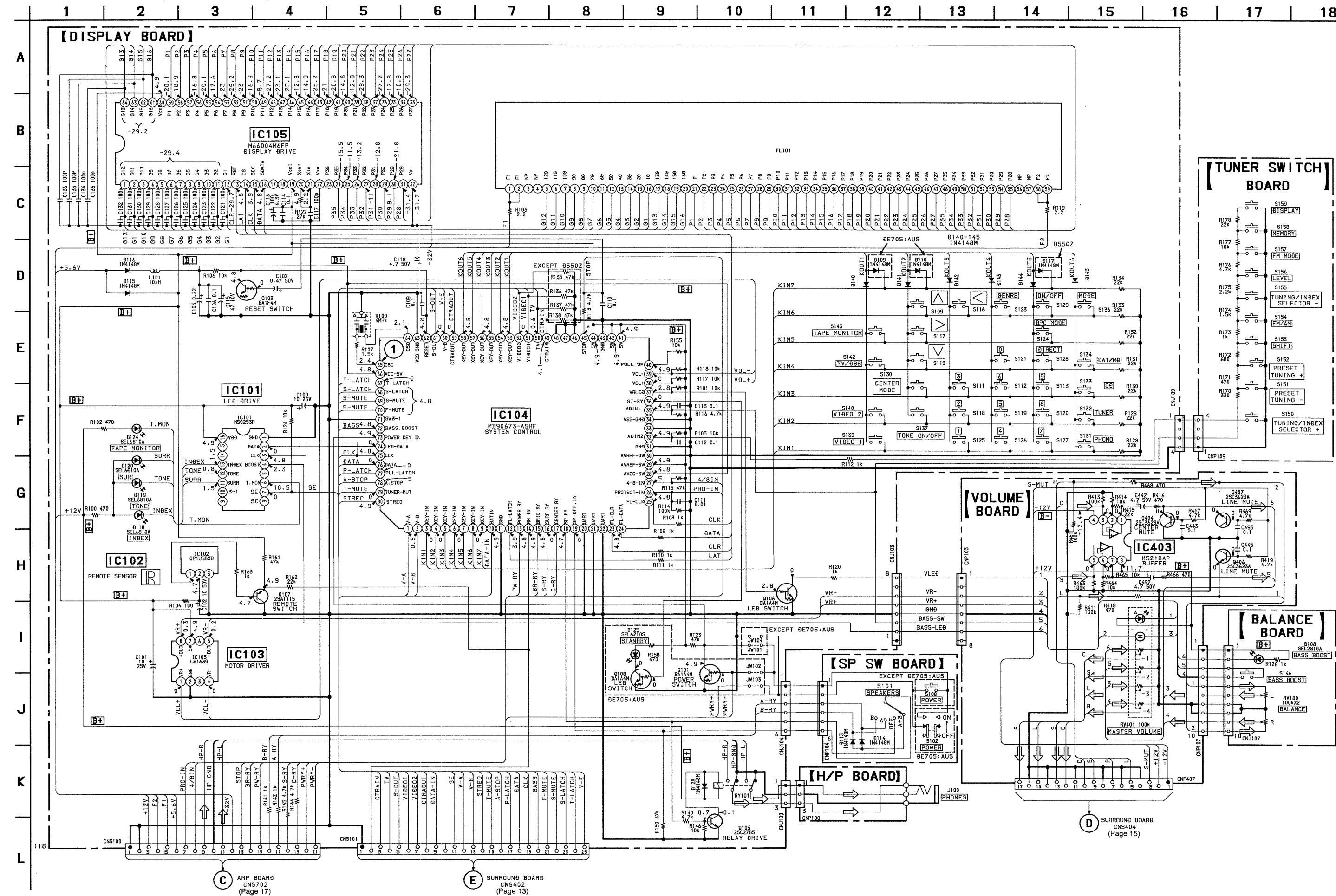


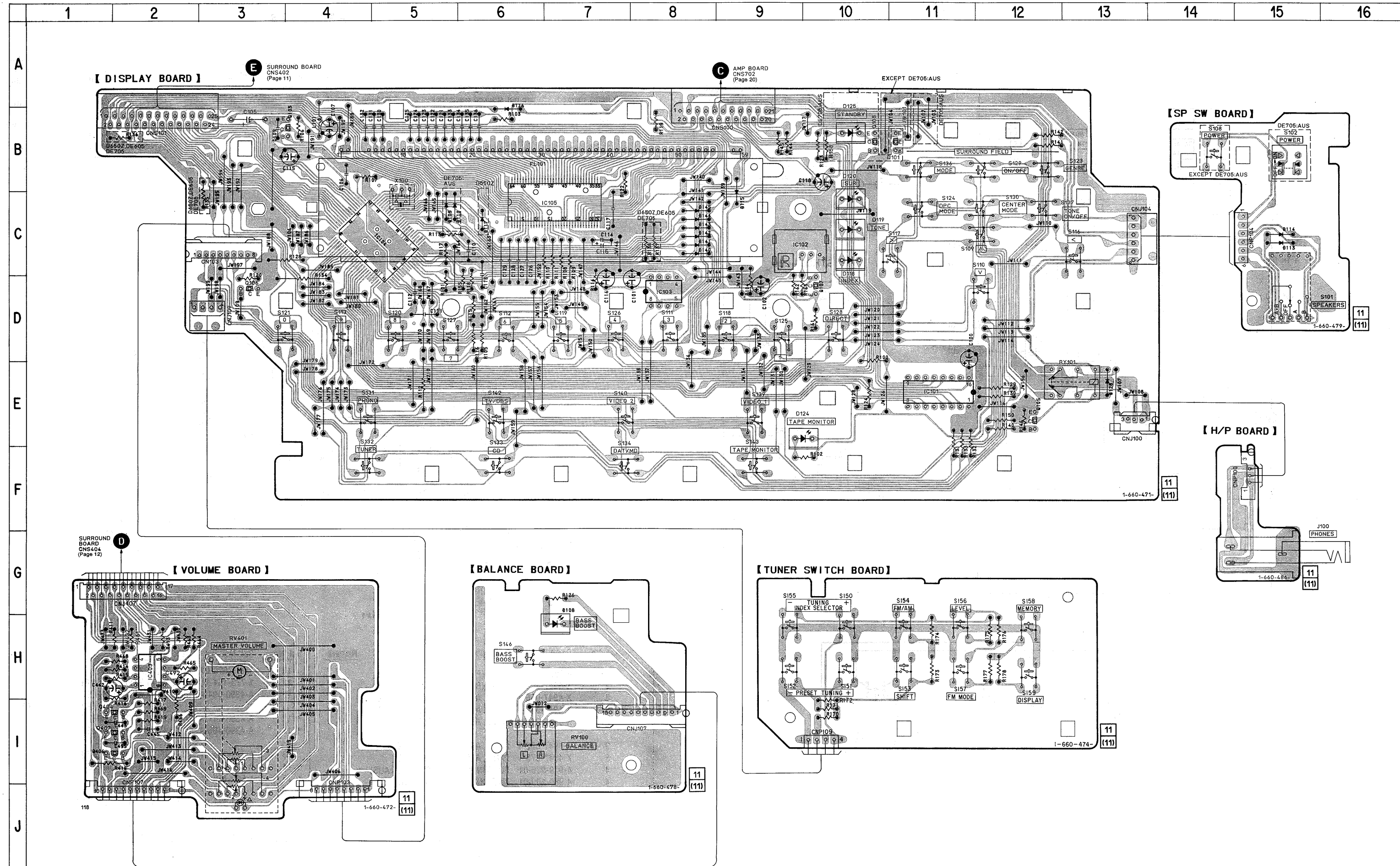
• WAVEFORM



- Note :
- All capacitors are in μ F unless otherwise noted. pF; μ μ F 50WV or less are not indicated except for electrolytics and tantalums.
 - All resistors are in Ω and $\frac{1}{2}$ W or less unless otherwise specified.
 - Δ : internal component.
 - \square : panel designation.
 - **B+** : B+ Line
 - **B-** : B - Line
 - Voltage and waveforms are dc with respect to ground under no-signal conditions.
 - no mark : TUNER
 - * : can not be measured
 - Voltages are taken with a VOM (Input impedance 10M Ω). Voltage variations may be noted due to normal production tolerances.
 - Waveforms are taken with an oscilloscope. Voltage variations may be noted due to normal production tolerances.
 - Circled numbers refer to waveforms.
 - Signal path.
 - \Rightarrow : FM
 - Abbreviation
 - AUS : Australian

3-6. SCHEMATIC DIAGRAM (DISPLAY SECTION)





● SEMICONDUCTOR LOCATION

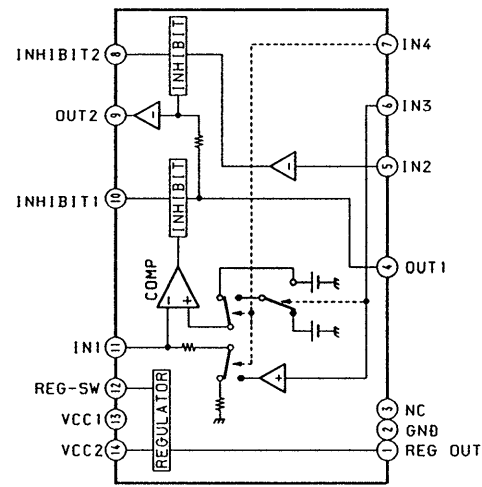
Ref. No.	Location
D108	H - 7
D109	C - 5
D110	C - 5
D113	C - 15
D114	C - 15
D115	C - 9
D116	B - 6
D117	C - 6
D118	C - 10
D119	C - 10
D120	C - 10
D124	F - 9
D125	B - 10
D128	E - 13
D140	C - 8
D141	C - 8
D142	C - 8
D143	C - 8
D144	C - 8
D145	C - 8
IC101	C - 11
IC102	C - 9
IC103	D - 8
IC104	C - 5
IC105	C - 7
IC403	H - 2
Q101	B - 11
Q103	B - 4
Q105	E - 12
Q106	D - 3
Q107	D - 10
Q108	B - 10
Q404	I - 1
Q406	I - 1
Q407	I - 1

Note:

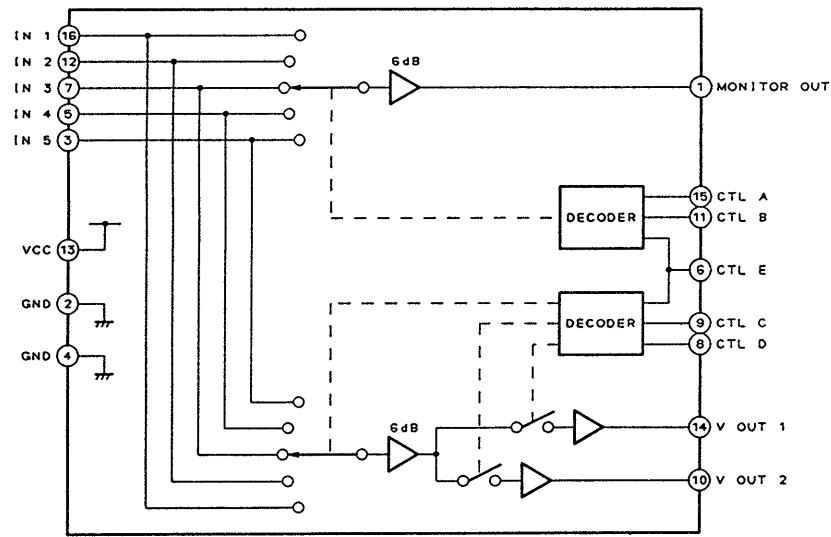
- : parts extracted from the component side.
- △ : internal component.
- ⋯ : Pattern from the side which enables seeing. (The other layers' patterns are not indicated)
- Abbreviation
CND : Canadian
AUS : Australian

• IC BLOCK DIAGRAMS – SURROUND SECTION –

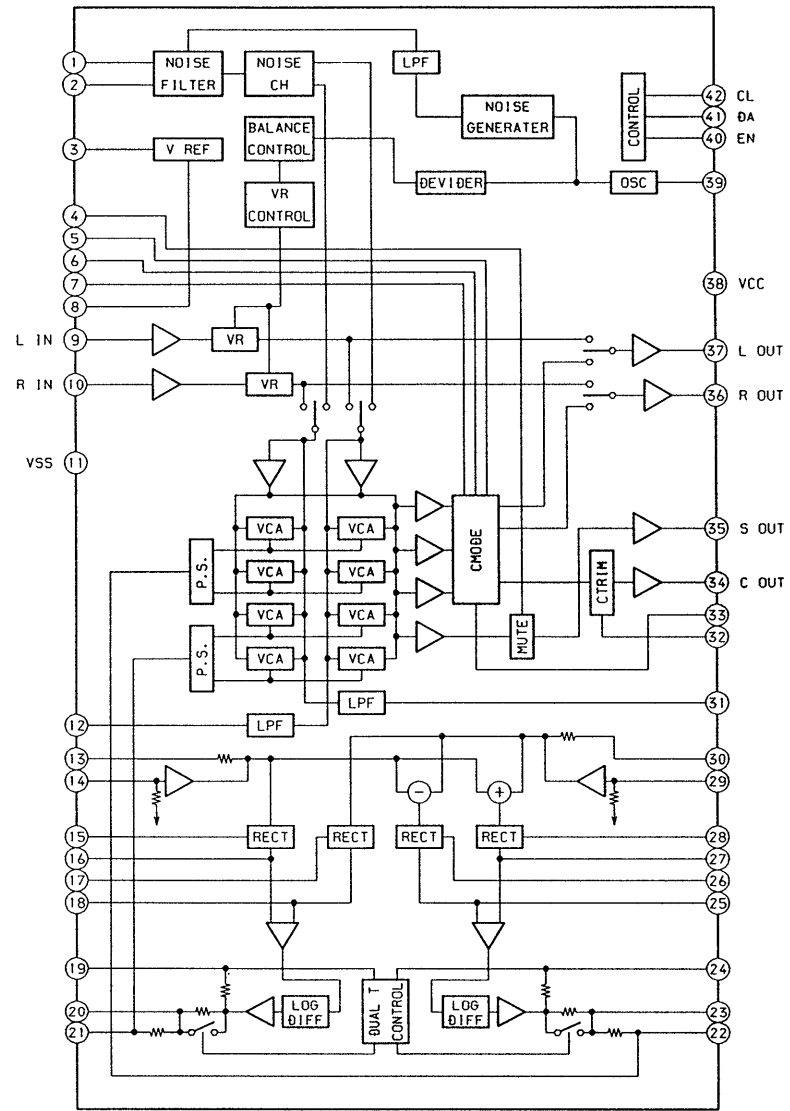
IC150 NJM2129D



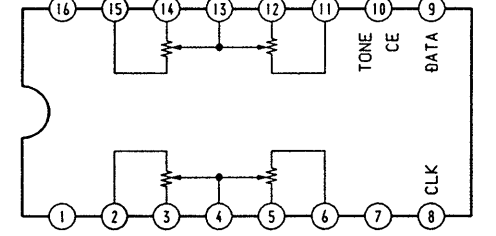
IC201 SN761200N



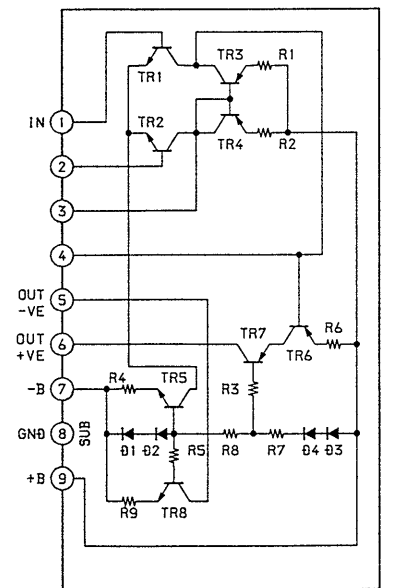
IC401 LA2785



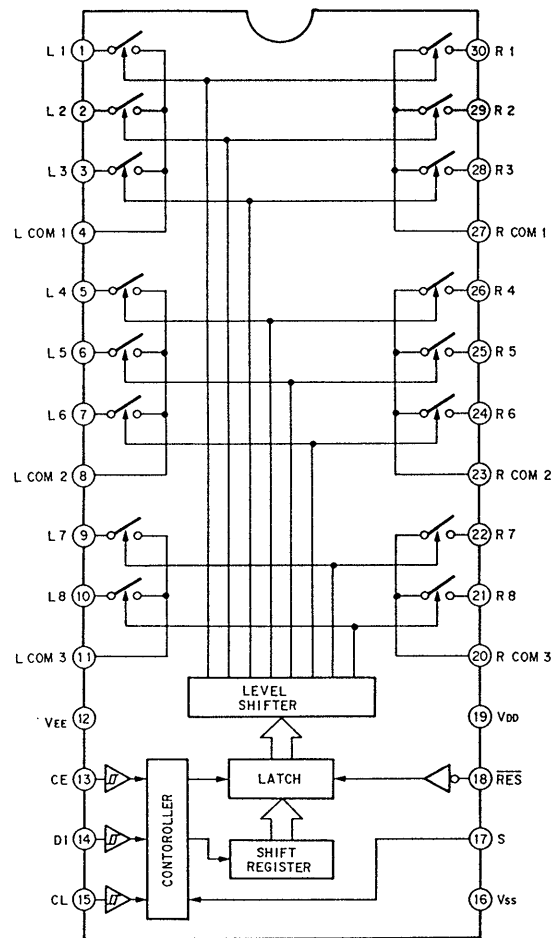
IC502 TC9184P



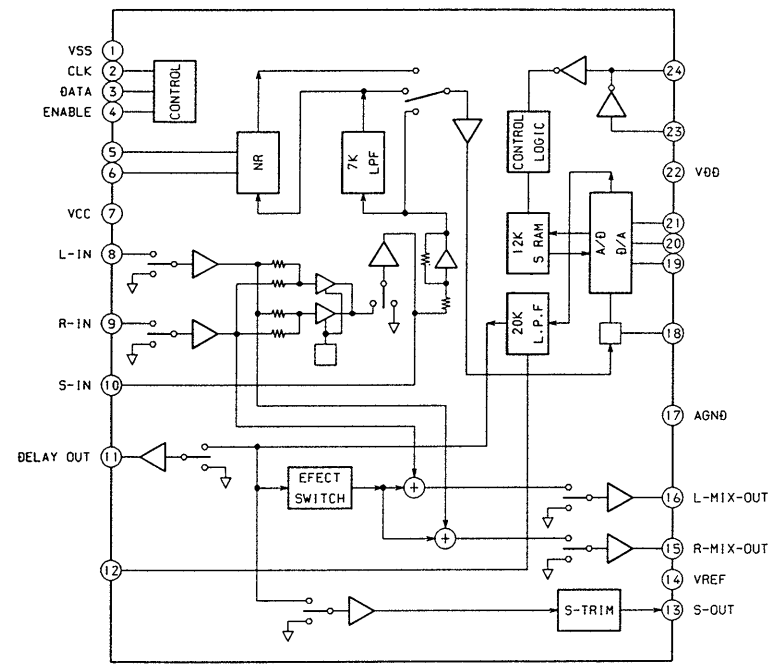
IC503 STK350-230



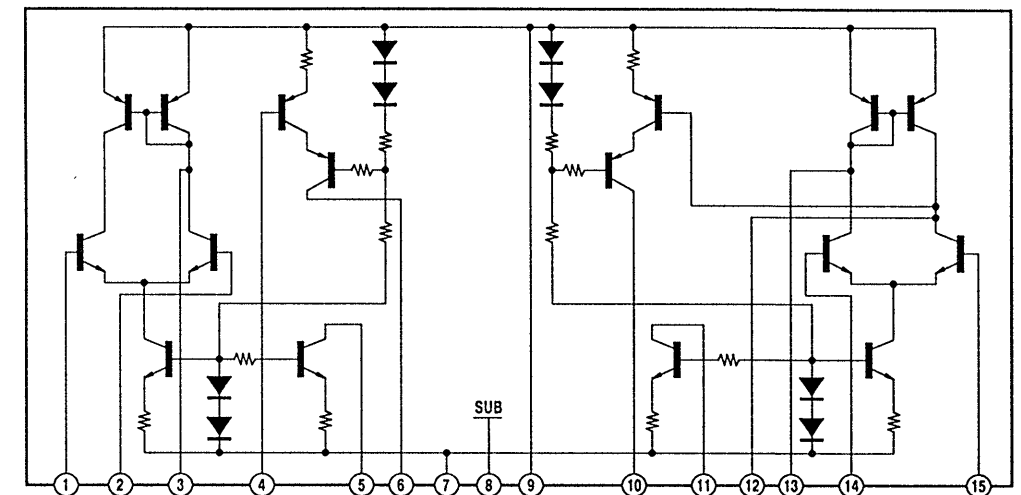
IC304, 305 LC7822



IC402 LV1011



IC501 STK350-030



SECTION 4 EXPLODED VIEWS

NOTE :

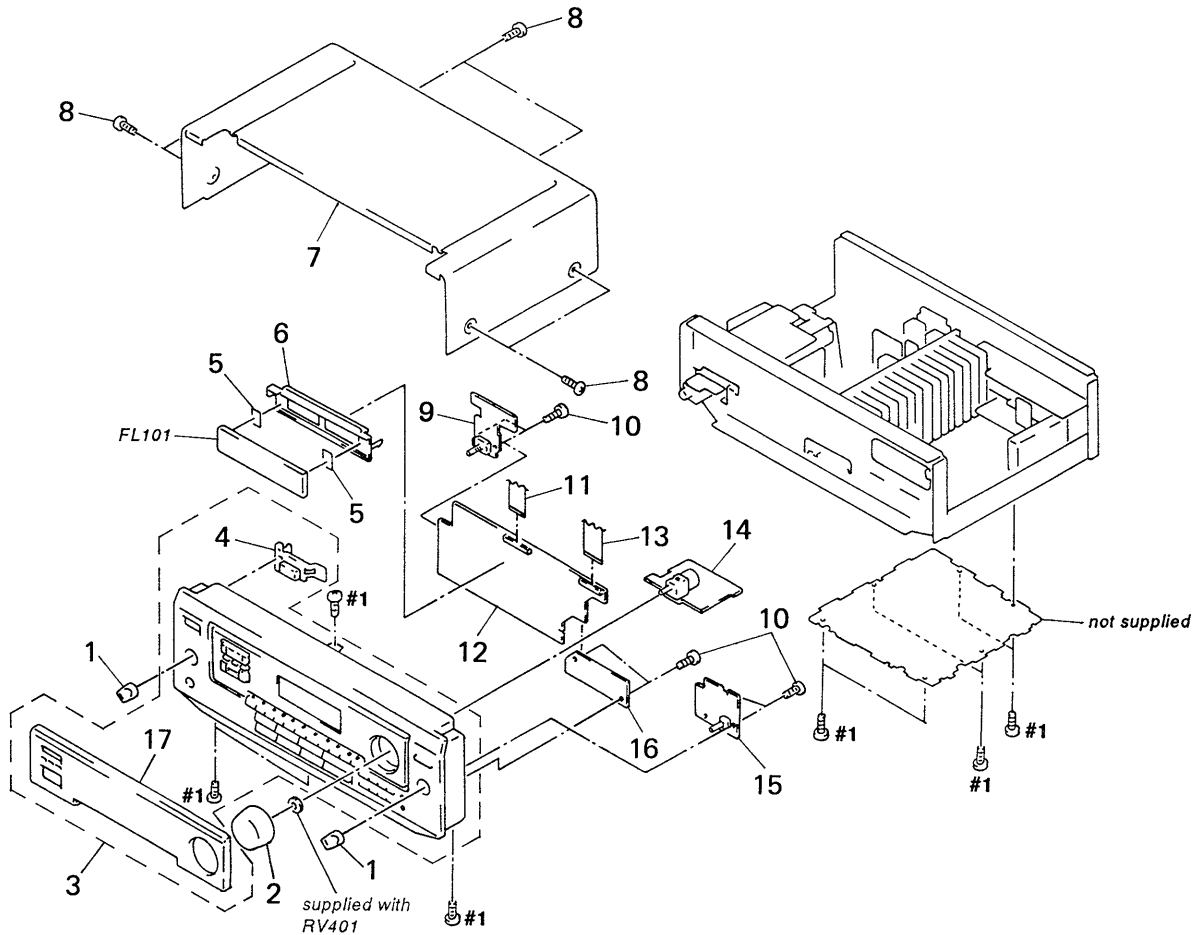
- -XX, -X mean standardized parts, so they may have some difference from the original one.
- Items marked “ * ” are not stocked since they are seldom required for routine service. Some delay should be anticipated when ordering these items.

- The mechanical parts with no reference number in the exploded views are not supplied.
- Hardware (# mark) list and accessories and packing materials are given in the last of this parts list.
- For detailed E model of refer to US model.
- Abbreviation
CND : Canadian AUS : Australian

The components identified by mark Δ or dotted line with mark Δ are critical for safety.
Replace only with part number specified.

Les composants identifiés par une marque Δ sont critiques pour la sécurité.
Ne les remplacer que par une pièce portant le numéro spécifié.

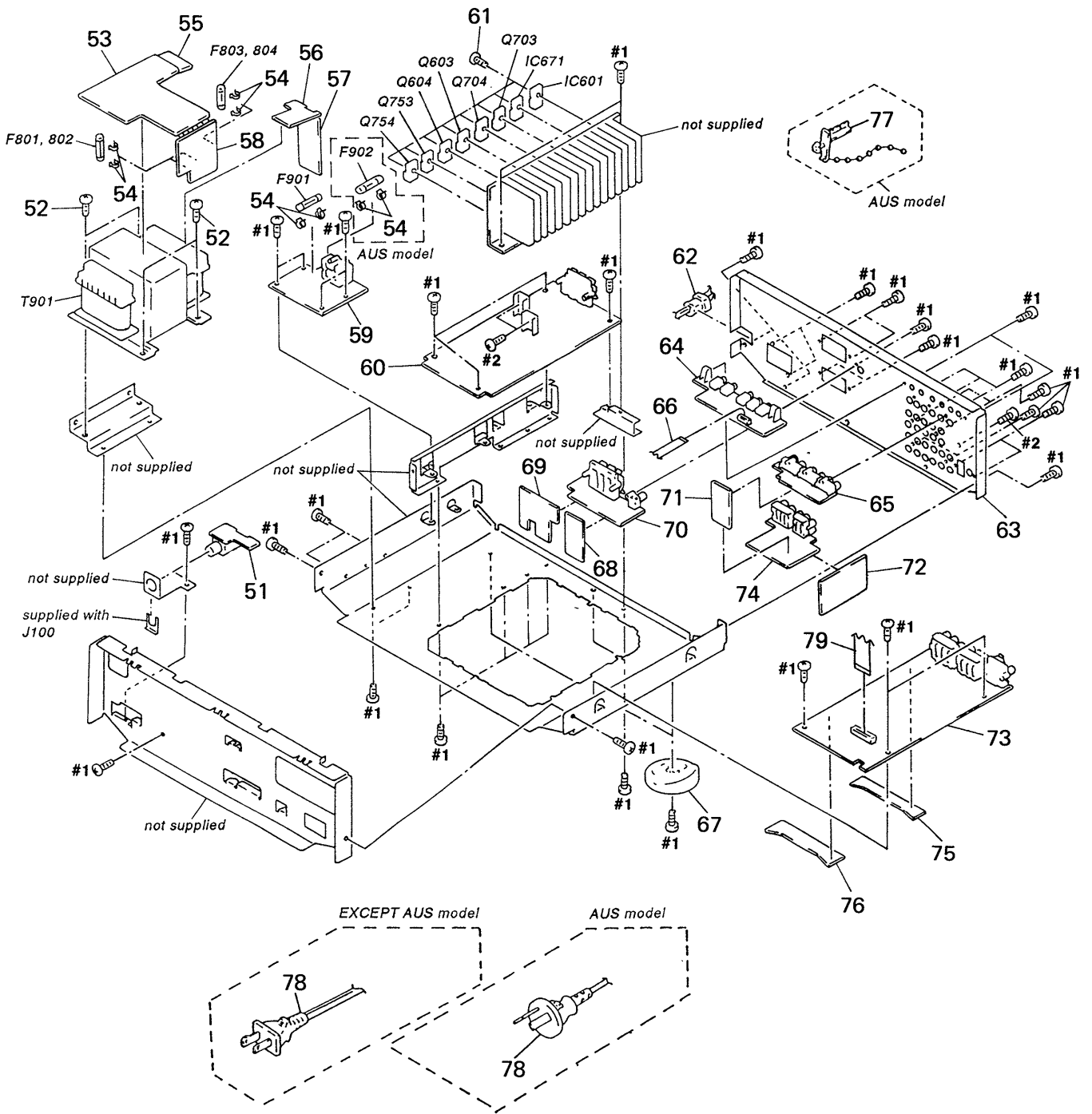
4-1. FRONT PANEL SECTION



Ref. No.	Part No.	Description	Remark
1	4-957-383-01	KNOB (F14)	
2	X-4947-074-1	KNOB (R48) ASSY	
3	X-4947-066-1	PANEL ASSY, FRONT (DE705:US,CND)	
3	X-4947-067-1	PANEL ASSY, FRONT (DE705:AUS)	
3	X-4947-071-1	PANEL ASSY, FRONT (DE605)	
3	X-4947-072-1	PANEL ASSY, FRONT (D650Z)	
3	X-4947-073-1	PANEL ASSY, FRONT (D550Z)	
4	4-979-936-01	BUTTON (P-T)(EXCEPT DE705:AUS)	
4	4-980-109-01	BUTTON (P-M) (DE705:AUS)	
* 5	4-921-941-01	CUSHION (FL)	
* 6	4-981-656-01	HOLDER, FL TUBE	
* 7	4-979-945-01	CASE (414532)	
8	3-704-366-01	SCREW (CASE) (M3X8)	
* 9	1-660-479-11	SP SW BOARD	

Ref. No.	Part No.	Description	Remark
10	4-951-620-01	SCREW (2.6X8), +BVTP	
11	1-773-154-11	WIRE (FLAT TYPE) (21 CORE)	
* 12	A-4390-094-A	DISPLAY BOARD, COMPLETE (EXCEPT D550Z/DE705:AUS)	
* 12	A-4390-117-A	DISPLAY BOARD, COMPLETE (DE705:AUS)	
* 12	A-4390-406-A	DISPLAY BOARD, COMPLETE (D550Z)	
13	1-773-230-11	WIRE (FLAT TYPE) (25 CORE)	
* 14	A-4390-097-A	VOLUME BOARD, COMPLETE	
* 15	1-660-478-11	BALANCE BOARD	
* 16	1-660-474-11	TUNER SWITCH BOARD	
* 17	4-980-631-21	PLATE (A4), INDICATION (EXCEPT AUS)	
* 17	4-980-631-31	PLATE (A4), INDICATION (AUS)	
FL101	1-517-519-11	INDICATOR TUBE, FLUORESCENT	

4-2. CHASSIS SECTION



Ref. No.	Part No.	Description	Remark
* 51	1-660-486-11	H/P BOARD	
52	4-381-962-11	SCREW +BVTT 4X8 (S)	
* 53	1-660-489-11	FF TRANSFORMER BOARD	
54	1-533-399-31	HOLDER, FUSE	
* 55	1-660-491-11	SECONDARY JOINT BOARD	
* 56	1-660-475-11	PRIMARY TRANSFORMER BOARD	
* 57	1-660-476-11	PRIMARY JOINT BOARD	
* 58	1-660-490-11	SECONDARY BOARD	
* 59	A-4390-110-A	STANDBY BOARD, COMPLETE (EXCEPT AUS)	
* 59	A-4390-119-A	STANDBY BOARD, COMPLETE(AUS)	
* 60	A-4390-091-A	AMP BOARD, COMPLETE (D550Z/DE605)	
* 60	A-4390-106-A	AMP BOARD, COMPLETE (D650Z/DE705)	
61	3-905-609-01	SCREW (TRANSISTOR)	
* 62	3-703-244-00	BUSHING (2104), CORD	
* 63	4-981-655-01	PANEL, BACK (DE705:US)	
* 63	4-981-655-11	PANEL, BACK (DE705:CND)	
* 63	4-981-655-21	PANEL, BACK (DE705:AUS)	
* 63	4-981-655-31	PANEL, BACK (DE605:US)	
* 63	4-981-655-41	PANEL, BACK (DE605:CND)	
* 63	4-981-655-51	PANEL, BACK (D650Z:US)	
* 63	4-981-655-61	PANEL, BACK (D650Z:CND)	
* 63	4-981-655-71	PANEL, BACK (D550Z)	
* 64	A-4390-115-A	CONT-A BOARD, COMPLETE (DE705:US,CND)	
* 65	A-4390-099-A	VIDEO BOARD, COMPLETE	
66	1-769-913-11	WIRE (FLAT TYPE) (9 CORE) (DE705:US,CND)	
67	X-4947-207-1	FOOT ASSY (F50150S) (AUS)	
67	X-4947-208-1	FOOT ASSY (F50150S) (EXCEPT AUS)	
* 68	1-660-482-11	SP JOINT BOARD	
* 69	1-660-484-11	STANDBY TO AMP JOINT BOARD	
* 70	1-660-488-11	SP TM BOARD	
* 71	1-660-473-11	F2 TO F3 BOARD	
* 72	A-4390-098-A	PHONO AMP BOARD, COMPLETE	
* 73	A-4390-107-A	SURR BOARD, COMPLETE (DE705:US,CND)	
* 73	A-4390-146-A	SURR BOARD, COMPLETE (DE705:AUS)	
* 73	A-4390-407-A	SURR BOARD, COMPLETE (D550Z/DE605)	
* 73	A-4390-490-A	SURR BOARD, COMPLETE (D650Z)	
* 74	1-660-480-11	AUDIO (F2) BOARD	

Ref. No.	Part No.	Description	Remark
* 75	1-660-495-11	CONT AS-2 BOARD	
* 76	1-660-494-11	CONT AS-1 BOARD	
77	4-956-370-12	BAND, PLUG FIXED (AUS)	
△ 78	1-696-847-11	CORD, POWER (AUS)	
△ 78	1-769-743-11	CORD, POWER (EXCEPT AUS)	
79	1-773-040-11	WIRE (FLAT TYPE) (17 CORE)	
△ F801	1-533-311-11	FUSE, GLASS CYLINDRICAL (DIA.5)(8A 125V) (D650Z/DE705:US,CND)	
△ F801	1-533-310-11	FUSE, GLASS TUBE (6.3A 125V) (D550Z/DE605)	
△ F801	1-532-506-51	FUSE, TIME LAG (T6.3AL 250V) (DE705:AUS)	
△ F802	1-533-311-11	FUSE, GLASS CYLINDRICAL (DIA.5)(8A 125V) (D650Z/DE705:US,CND)	
△ F802	1-533-310-11	FUSE, GLASS TUBE (6.3A 125V) (D550Z/DE605)	
△ F802	1-532-506-51	FUSE, TIME LAG (T6.3AL 250V) (AUS)	
△ F803	1-576-108-11	FUSE (4A 125V) (EXCEPT AUS)	
△ F803	1-532-504-51	FUSE, TIME LAG (T4AL 250V) (AUS)	
△ F804	1-576-108-11	FUSE (4A 125V) (EXCEPT AUS)	
△ F804	1-532-504-51	FUSE, TIME LAG (T4AL 250V) (AUS)	
△ F901	1-533-311-11	FUSE, GLASS CYLINDRICAL (DIA.5)(8A 125V) (D650Z/DE705:US,CND)	
△ F901	1-533-310-11	FUSE, GLASS TUBE (6.3A 125V) (D550Z/DE605)	
△ F901	1-532-506-51	FUSE, TIME LAG (T6.3AL 250V) (AUS)	
△ F902	1-532-464-51	FUSE, TIME LAG (T2.5AL 250V) (AUS)	
IC601	8-759-069-56	IC LM3875	
IC671	8-759-069-56	IC LM3875	
Q603	8-749-010-25	IC MN2488-OPY-M	
Q604	8-749-010-26	IC MP1620-OPY-M	
Q703	8-749-010-25	IC MN2488-OPY-M	
Q704	8-749-010-26	IC MP1620-OPY-M	
Q753	8-749-010-25	IC MN2488-OPY-M	
Q754	8-749-010-26	IC MP1620-OPY-M	
△ T901	1-429-541-11	TRANSFORMER, POWER (D650Z:US/DE705:US)	
△ T901	1-429-544-11	TRANSFORMER, POWER (DE705:AUS)	
△ T901	1-429-564-11	TRANSFORMER, POWER (D650Z:CND/ DE705:CND)	
△ T901	1-429-608-11	TRANSFORMER, POWER (D550Z/DE605:US)	
△ T901	1-429-609-11	TRANSFORMER, POWER (DE605:CND)	

The components identified by mark △ or dotted line with mark △ are critical for safety. Replace only with part number specified.	Les composants identifiés par une marque △ sont critiques pour la sécurité. Ne les remplacer que par une pièce portant le numéro spécifié.
---	---

SECTION 5

ELECTRICAL PARTS LIST



NOTE :

- Due to standardization, replacements in the parts list may be different from the parts specified in the diagrams or the components used on the set.
- -XX, -X mean standardized parts, so they may have some difference from the original one.
- **RESISTORS**
All resistors are in ohms
METAL : Metal-film resistor
METAL OXIDE : Metal oxide-film resistor
F : nonflammable
- Items marked " * " are not stocked since they are seldom required for routine service. Some delay should be anticipated when ordering these items.

● **SEMICONDUCTORS**

In each case, u : μ , for example :
 uA.... : μ A.... , uPA.... : μ PA....
 uPB.... : μ PB.... , uPC.... : μ PC....
 uPD.... : μ PD....

● **CAPACITORS**

uF : μ F

● **COILS**

uH : μ H

● For detailed E model of refer to US model.

● **Abbreviation**

CND : Canadian AUS : Australian

The components identified by mark Δ or dotted line with mark Δ are critical for safety. Replace only with part number specified.
Les composants identifiés par une marque Δ sont critiques pour la sécurité. Ne les remplacer que par une pièce portant le numéro spécifié.
When indicating parts by reference number, please include the board.

Ref. No.	Part No.	Description	Remark	Ref. No.	Part No.	Description	Remark
*	A-4390-091-A	AMP BOARD, COMPLETE (D550Z/DE605)		C754	1-136-157-00	FILM	0.022uF 5% 50V
*	A-4390-106-A	AMP BOARD, COMPLETE (D650Z/DE705)	*****	C756	1-162-286-31	CERAMIC	220PF 10% 50V
				C801	1-124-907-11	ELECT	10uF 20% 50V
*	1-537-738-21	TERMINAL, EARTH		C802	1-124-910-11	ELECT	47uF 20% 50V
		< CAPACITOR >		C803	1-109-932-12	ELECT	10000uF 20% 71V (D550Z/DE605)
C601	1-124-910-11	ELECT	47uF 20% 50V	C803	1-125-752-11	ELECT	12000uF 20% 71V (D650Z/DE705)
C602	1-107-597-11	CERAMIC	22PF 10% 500V	C804	1-109-932-12	ELECT	10000uF 20% 71V (D550Z/DE605)
C603	1-107-597-11	CERAMIC	22PF 10% 500V	C804	1-125-752-11	ELECT	12000uF 20% 71V (D650Z/DE705)
C604	1-136-157-00	FILM	0.022uF 5% 50V	C805	1-137-420-11	FILM	0.047uF 10% 100V
C606	1-162-286-31	CERAMIC	220PF 10% 50V	C806	1-137-420-11	FILM	0.047uF 10% 100V
C610	1-164-159-11	CERAMIC	0.1uF 50V	C807	1-104-664-11	ELECT	47uF 20% 16V
C611	1-164-096-11	CERAMIC	0.01uF 50V	C808	1-104-664-11	ELECT	47uF 20% 16V
C621	1-126-163-11	ELECT	4.7uF 20% 50V	C811	1-126-974-11	ELECT	3300uF 20% 50V
C622	1-162-282-31	CERAMIC	100PF 10% 50V	C812	1-126-974-11	ELECT	3300uF 20% 50V
C623	1-162-282-31	CERAMIC	100PF 10% 50V	C813	1-136-163-00	FILM	0.068uF 5% 50V
C624	1-104-665-11	ELECT	100uF 20% 16V	C814	1-136-163-00	FILM	0.068uF 5% 50V
C626	1-136-157-00	FILM	0.022uF 5% 50V	C815	1-124-910-11	ELECT	47uF 20% 50V (D650Z/DE705)
C656	1-126-163-11	ELECT	4.7uF 20% 50V	C816	1-124-910-11	ELECT	47uF 20% 50V (D650Z/DE705)
C661	1-164-096-11	CERAMIC	0.01uF 50V			< CONNECTOR >	
C671	1-126-163-11	ELECT	4.7uF 20% 50V	CNJ601	1-770-404-11	HOUSING,CONNECTOR(PC BOARD)	11P
C672	1-162-282-31	CERAMIC	100PF 10% 50V	CNJ701	1-770-404-11	HOUSING,CONNECTOR(PC BOARD)	11P
C673	1-162-282-31	CERAMIC	100PF 10% 50V	CNJ803	1-770-383-11	CONNECTOR, BOARD TO BOARD	14P
C674	1-104-665-11	ELECT	100uF 20% 16V	CNP702	1-770-481-11	PIN, CONNECTOR	4P
C676	1-136-157-00	FILM	0.022uF 5% 50V	* CNP801	1-560-259-00	CONNECTOR PIN,WITH LOCK	6P
C699	1-164-159-11	CERAMIC	0.1uF 50V	* CNP802	1-565-495-11	CONNECTOR, BOARD TO BOARD	4P (EXCEPT CND)
C701	1-124-910-11	ELECT	47uF 20% 50V	* CNP802	1-565-480-11	CONNECTOR, BOARD TO BOARD	4P (CND)
C702	1-107-597-11	CERAMIC	22PF 10% 500V			< CONNECTOR >	
C703	1-107-597-11	CERAMIC	22PF 10% 500V	CNS702	1-568-838-11	SOCKET, CONNECTOR	21P
C704	1-136-157-00	FILM	0.022uF 5% 50V				
C706	1-162-286-31	CERAMIC	220PF 10% 50V				
C711	1-126-941-11	ELECT	470uF 20% 6.3V				
C712	1-124-250-11	ELECT	0.15uF 20% 50V				
C751	1-124-910-11	ELECT	47uF 20% 50V				
C752	1-107-597-11	CERAMIC	22PF 10% 500V				
C753	1-107-597-11	CERAMIC	22PF 10% 500V				



Ref. No.	Part No.	Description	Remark
< DIODE >			
D601	8-719-987-63	DIODE 1N4148M-TP	
D602	8-719-010-06	DIODE UZ-2.2BS-TP	
D603	8-719-010-06	DIODE UZ-2.2BS-TP	
D604	8-719-987-63	DIODE 1N4148M-TP	
D607	8-719-987-63	DIODE 1N4148M-TP	
D608	8-719-987-63	DIODE 1N4148M-TP	
D631	8-719-987-63	DIODE 1N4148M-TP	
D632	8-719-987-63	DIODE 1N4148M-TP	
D701	8-719-987-63	DIODE 1N4148M-TP	
D702	8-719-010-06	DIODE UZ-2.2BS-TP	
D703	8-719-010-06	DIODE UZ-2.2BS-TP	
D704	8-719-987-63	DIODE 1N4148M-TP	
D710	8-719-815-85	DIODE 1S1585	
D711	8-719-815-85	DIODE 1S1585	
D713	8-719-987-63	DIODE 1N4148M-TP	
D714	8-719-987-63	DIODE 1N4148M-TP	
D716	8-719-987-63	DIODE 1N4148M-TP	
D717	8-719-987-63	DIODE 1N4148M-TP (D650Z/DE705)	
D751	8-719-987-63	DIODE 1N4148M-TP	
D752	8-719-010-06	DIODE UZ-2.2BS-TP	
D753	8-719-010-06	DIODE UZ-2.2BS-TP	
D754	8-719-987-63	DIODE 1N4148M-TP	
D763	8-719-987-63	DIODE 1N4148M-TP	
D767	8-719-987-63	DIODE 1N4148M-TP (D650Z/DE705)	
D801	8-719-934-22	DIODE HZS-30L	
D802	8-719-302-38	DIODE RBV-602-01	
D803	8-719-028-23	DIODE D3SBA20-4101	
< IC >			
IC601	8-759-069-56	IC LM3875	
IC671	8-759-069-56	IC LM3875	
IC801	8-759-604-39	IC μ PC78M12H	
IC803	8-759-604-45	IC M5F79M12L	
< COIL >			
L601	1-420-872-00	COIL,AIR-CORE	
L602	1-420-872-00	COIL,AIR-CORE	
L652	1-420-872-00	COIL,AIR-CORE	
< PHOTO INTERRUPTER >			
PH701	8-719-936-96	IC PC817AC (D650Z/DE705)	
PH751	8-719-936-96	IC PC817AC (D650Z/DE705)	
< TRANSISTOR >			
Q601	8-729-119-76	TRANSISTOR 2SA115TP-EF	
Q602	8-729-141-30	TRANSISTOR 2SC3623ATP-LK	
Q603	8-749-010-25	IC MN2488-OPY-M	
Q604	8-749-010-26	IC MP1620-OPY-M	
Q605	8-729-140-82	TRANSISTOR 2SA988TP-PAFAEA	
Q607	8-729-119-79	TRANSISTOR 2SC2785TP-FEK	

Ref. No.	Part No.	Description	Remark
Q608	8-729-119-79	TRANSISTOR 2SC2785TP-FEK	
Q701	8-729-119-76	TRANSISTOR 2SA1115TP-EF	
Q702	8-729-141-30	TRANSISTOR 2SC3623ATP-LK	
Q703	8-749-010-25	IC MN2488-OPY-M	
Q704	8-749-010-26	IC MP1620-OPY-M	
Q705	8-749-140-82	TRANSISTOR 2SA988TP-PAFAEA	
Q711	8-729-140-82	TRANSISTOR 2SA988TP-PAFAEA	
Q712	8-729-119-79	TRANSISTOR 2SC2785TP-FEK	
Q713	8-729-140-84	TRANSISTOR 2SC1841TP-PAFAEA	
Q715	8-729-119-76	TRANSISTOR 2SA1115TP-EF(D650Z/DE705)	
Q719	8-729-119-79	TRANSISTOR 2SC2785TP-FEK(D650Z/DE705)	
Q751	8-729-119-76	TRANSISTOR 2SA1115TP-EF	
Q752	8-729-141-30	TRANSISTOR 2SC3623ATP-LK	
Q753	8-749-010-25	IC MN2488-OPY-M	
Q754	8-749-010-26	IC MP1620-OPY-M	
Q755	8-729-140-82	TRANSISTOR 2SA988TP-PAFAEA	
Q769	8-729-119-79	TRANSISTOR 2SC2785TP-FEK(D650Z/DE705)	
Q801	8-729-140-97	TRANSISTOR 2SB734-T-34	
Q802	8-729-119-79	TRANSISTOR 2SC2785TP-FEK	
< RESISTOR >			
R600	1-249-437-11	CARBON	47K 5% 1/4W
R601	1-249-393-11	CARBON	10 5% 1/4W
R603	1-249-421-11	CARBON	2.2K 5% 1/4W
R604	1-249-414-11	CARBON	560 5% 1/4W
R605	1-249-393-11	CARBON	10 5% 1/4W
Δ R606	1-233-352-21	ENCAPSULATED COMPONENT	F
R610	1-249-427-11	CARBON	6.8K 5% 1/4W
R611	1-249-419-11	CARBON	1.5K 5% 1/4W
R613	1-249-389-11	CARBON	4.7 5% 1/4W
R614	1-249-439-11	CARBON	68K 5% 1/4W
R615	1-249-393-11	CARBON	10 5% 1/4W
R617	1-249-438-11	CARBON	56K 5% 1/4W
R618	1-249-393-11	CARBON	10 5% 1/4W
R621	1-249-438-11	CARBON	56K 5% 1/4W
R623	1-249-411-11	CARBON	330 5% 1/4W
R624	1-249-438-11	CARBON	56K 5% 1/4W
R625	1-249-389-11	CARBON	4.7 5% 1/4W
R626	1-249-438-11	CARBON	56K 5% 1/4W
R627	1-249-393-11	CARBON	10 5% 1/4W
R631	1-249-429-11	CARBON	10K 5% 1/4W
R632	1-249-425-11	CARBON	4.7K 5% 1/4W
R633	1-249-414-11	CARBON	560 5% 1/4W
R634	1-249-414-11	CARBON	560 5% 1/4W
R635	1-249-429-11	CARBON	10K 5% 1/4W
R636	1-249-425-11	CARBON	4.7K 5% 1/4W
R668	1-249-393-11	CARBON	10 5% 1/4W
R671	1-249-438-11	CARBON	56K 5% 1/4W
R673	1-249-411-11	CARBON	330 5% 1/4W
R674	1-249-438-11	CARBON	56K 5% 1/4W
R675	1-249-389-11	CARBON	4.7 5% 1/4W
R676	1-249-437-11	CARBON	47K 5% 1/4W

The components identified by mark Δ or dotted line with mark Δ are critical for safety. Replace only with part number specified.	Les composants identifiés par une marque Δ sont critiques pour la sécurité. Ne les remplacer que par une pièce portant le numéro spécifié.
---	--

AMP **AUDIO (F2)** **BALANCE**

Ref. No.	Part No.	Description	Remark	Ref. No.	Part No.	Description	Remark
R677	1-249-393-11	CARBON	10 5% 1/4W			< RELAY >	
R700	1-249-437-11	CARBON	47K 5% 1/4W				
R701	1-249-393-11	CARBON	10 5% 1/4W	RY601	1-515-765-11	RELAY (D550Z/DE605)	
R703	1-249-421-11	CARBON	2.2K 5% 1/4W	RY601	1-515-741-11	RELAY (D650Z/DE705)	
R704	1-249-414-11	CARBON	560 5% 1/4W	RY602	1-515-920-11	RELAY (24V)	
R705	1-249-393-11	CARBON	10 5% 1/4W			< TERMINAL >	
△ R706	1-233-352-21	ENCAPSULATED COMPONENT		F			
R710	1-249-427-11	CARBON	6.8K 5% 1/4W	TM601	1-537-510-11	TERMINAL BOARD (SPEAKER) (6P) (SURROUND SPEAKERS)	
R711	1-249-419-11	CARBON	1.5K 5% 1/4W	*****			
R714	1-249-437-11	CARBON	47K 5% 1/4W				
R715	1-249-393-11	CARBON	10 5% 1/4W	*	1-660-480-11	AUDIO (F2) BOARD *****	
△ R719	1-213-141-61	METAL OXIDE	680 5% 1W	F			
R721	1-249-429-11	CARBON	10K 5% 1/4W			< CAPACITOR >	
R722	1-249-435-11	CARBON	33K 5% 1/4W	C395	1-162-282-31	CERAMIC 100PF 10% 50V	
R723	1-249-427-11	CARBON	6.8K 5% 1/4W	C396	1-162-294-31	CERAMIC 0.001uF 10% 50V	
R727	1-249-417-11	CARBON	1K 5% 1/4W			< CONNECTOR >	
R736	1-249-428-11	CARBON	8.2K 5% 1/4W (D650Z/DE705)	CNP301	1-750-180-11	PIN, CONNECTOR (PC BOARD) 5P	
R737	1-249-430-11	CARBON	12K 5% 1/4W (D650Z/DE705)	CNP302	1-695-090-11	PIN, CONNECTOR (PC BOARD) 13P	
R740	1-249-429-11	CARBON	10K 5% 1/4W			< IC >	
R750	1-249-437-11	CARBON	47K 5% 1/4W	IC304	8-759-805-14	IC LC7822	
R751	1-249-393-11	CARBON	10 5% 1/4W			< JACK >	
R753	1-249-421-11	CARBON	2.2K 5% 1/4W	J305	1-580-825-11	JACK, PIN 6P(VIDEO 1:AUDIO OUT,AUDIO IN, VIDEO 2:AUDIO IN)	
R754	1-249-414-11	CARBON	560 5% 1/4W	J306	1-573-028-21	JACK, PIN 4P(VIDEO 2:AUDIO OUT,TV/ DBS AUDIO IN)	
R755	1-249-393-11	CARBON	10 5% 1/4W			< RESISTOR >	
△ R756	1-233-352-21	ENCAPSULATED COMPONENT		F			
R760	1-249-427-11	CARBON	6.8K 5% 1/4W	R322	1-249-417-11	CARBON 1K 5% 1/4W	
R761	1-249-419-11	CARBON	1.5K 5% 1/4W	R324	1-249-417-11	CARBON 1K 5% 1/4W	
R764	1-249-438-11	CARBON	56K 5% 1/4W	R325	1-249-417-11	CARBON 1K 5% 1/4W	
R765	1-249-393-11	CARBON	10 5% 1/4W	R326	1-249-417-11	CARBON 1K 5% 1/4W	
△ R769	1-213-141-61	METAL OXIDE	680 5% 1W	F			
R786	1-249-428-11	CARBON	8.2K 5% 1/4W (D650Z/DE705)	R327	1-249-417-11	CARBON 1K 5% 1/4W	
R787	1-249-430-11	CARBON	12K 5% 1/4W (D650Z/DE705)	R372	1-249-417-11	CARBON 1K 5% 1/4W	
R801	1-249-423-11	CARBON	3.3K 5% 1/4W	R374	1-249-417-11	CARBON 1K 5% 1/4W	
R802	1-249-409-11	CARBON	220 5% 1/4W	R375	1-249-417-11	CARBON 1K 5% 1/4W	
△ R803	1-215-883-11	METAL OXIDE	33 5% 2W	F			
△ R804	1-215-883-11	METAL OXIDE	33 5% 2W	F			
△ R806	1-215-883-11	METAL OXIDE	33 5% 2W	F			
R807	1-249-425-11	CARBON	4.7K 5% 1/4W	R376	1-249-417-11	CARBON 1K 5% 1/4W	
R808	1-249-429-11	CARBON	10K 5% 1/4W	R377	1-249-417-11	CARBON 1K 5% 1/4W	
R809	1-249-405-11	CARBON	100 5% 1/4W	R395	1-249-417-11	CARBON 1K 5% 1/4W	
R810	1-249-405-11	CARBON	100 5% 1/4W	R396	1-249-425-11	CARBON 4.7K 5% 1/4W	
R811	1-249-385-11	CARBON	2.2 5% 1/6W	*****			
R812	1-249-414-11	CARBON	560 5% 1/4W	*	1-660-478-11	BALANCE BOARD *****	
△ R813	1-215-883-11	METAL OXIDE	33 5% 2W	F			
△ R814	1-215-883-11	METAL OXIDE	33 5% 2W	F			
△ R815	1-215-883-11	METAL OXIDE	33 5% 2W	F			
△ R816	1-215-883-11	METAL OXIDE	33 5% 2W	F			
△ R817	1-215-883-11	METAL OXIDE	33 5% 2W	F			
						< CONNECTOR >	
				CNJ107	1-770-403-11	HOUSING,CONNECTOR (PC BOARD) 10P	

The components identified by mark △ or dotted line with mark △ are critical for safety. Replace only with part number specified.	Les composants identifiés par une marque △ sont critiques pour la sécurité. Ne les remplacer que par une pièce portant le numéro spécifié.
---	---

BALANCE

CONT AS-1

CONT AS-2

CONT-A

DISPLAY

Ref. No.	Part No.	Description	Remark
		< DIODE >	
D108	8-719-301-49	LED SEL6810A-TH10 (BASS BOOST)	
		< RESISTOR >	
R126	1-249-417-11	CARBON 1K 5% 1/4W	
		< VARIABLE RESISTOR >	
RV100	1-223-880-11	RES, VAR, CARBON 100K/100K (BALANCE)	
		< SWITCH >	
S146	1-554-303-21	SWITCH, TACTILE (BASS BOOST)	

*	1-660-494-11	CONT AS-1 BOARD *****	
		< CONNECTOR >	
CNP502	1-770-553-11	CONNECTOR, BOARD TO BOARD 11P	
CNP601	1-770-553-11	CONNECTOR, BOARD TO BOARD 11P	

*	1-660-495-11	CONT AS-2 BOARD *****	
		< CONNECTOR >	
CNP501	1-770-553-11	CONNECTOR, BOARD TO BOARD 11P	
CNP701	1-770-553-11	CONNECTOR, BOARD TO BOARD 11P	

*	A-4390-115-A	CONT-A BOARD, COMPLETE (DE705:US,CND) *****	
		< CAPACITOR >	
C150	1-162-294-31	CERAMIC 0.001uF 10% 50V	
C151	1-124-907-11	ELECT 10uF 20% 50V	
C152	1-162-294-31	CERAMIC 0.001uF 10% 50V	
C153	1-162-294-31	CERAMIC 0.001uF 10% 50V	
C154	1-162-294-31	CERAMIC 0.001uF 10% 50V	
C155	1-124-907-11	ELECT 10uF 20% 50V	
C159	1-104-666-11	ELECT 220uF 20% 10V	
		< CONNECTOR >	
* CNF403	1-568-828-11	SOCKET, CONNECTOR 9P	
		< DIODE >	
D151	8-719-987-63	DIODE 1N4148M-TP	
		< IC >	
IC150	8-759-388-26	IC NJM2129D	
IC151	8-759-912-77	IC LM324N	

Ref. No.	Part No.	Description	Remark
		< JACK >	
J151	1-563-330-11	JACK (S-LINK CTRL A1)	
J152	1-563-330-11	JACK (MONITOR CTRL S IN)	
J153	1-563-330-11	JACK (VIDEO 1 CTRL S OUT)	
J154	1-563-330-11	JACK (VIDEO 2 CTRL S OUT)	
J155	1-563-330-11	JACK (TV/DBS CTRL S STATUS IN)	
		< TRANSISTOR >	
Q150	8-729-119-79	TRANSISTOR 2SC2785TP-FEK	
Q152	8-729-119-76	TRANSISTOR 2SA1115TP-EF	
Q153	8-729-119-79	TRANSISTOR 2SC2785TP-FEK	
Q154	8-729-119-79	TRANSISTOR 2SC2785TP-FEK	
Q155	8-729-119-76	TRANSISTOR 2SA1115TP-EF	
Q156	8-729-119-76	TRANSISTOR 2SA1115TP-EF	
Q157	8-729-119-76	TRANSISTOR 2SA1115TP-EF	
Q158	8-729-119-76	TRANSISTOR 2SA1115TP-EF	
Q159	8-729-620-05	TRANSISTOR 2SC2603TP-EF	
		< RESISTOR >	
R150	1-249-414-11	CARBON 560 5% 1/4W	
R151	1-249-417-11	CARBON 1K 5% 1/4W	
R152	1-249-417-11	CARBON 1K 5% 1/4W	
R153	1-249-423-11	CARBON 3.3K 5% 1/4W	
R154	1-249-433-11	CARBON 22K 5% 1/4W	
R155	1-249-427-11	CARBON 6.8K 5% 1/4W	
R156	1-249-414-11	CARBON 560 5% 1/4W	
R157	1-249-417-11	CARBON 1K 5% 1/4W	
R158	1-249-429-11	CARBON 10K 5% 1/4W	
R159	1-249-429-11	CARBON 10K 5% 1/4W	
R161	1-249-429-11	CARBON 10K 5% 1/4W	
R162	1-249-417-11	CARBON 1K 5% 1/4W	
R163	1-249-417-11	CARBON 1K 5% 1/4W	
R164	1-249-417-11	CARBON 1K 5% 1/4W	
R165	1-249-417-11	CARBON 1K 5% 1/4W	
R166	1-249-417-11	CARBON 1K 5% 1/4W	
R167	1-249-413-11	CARBON 470 5% 1/4W	
R168	1-249-413-11	CARBON 470 5% 1/4W	
R177	1-249-429-11	CARBON 10K 5% 1/4W	
R178	1-249-425-11	CARBON 4.7K 5% 1/4W	
R179	1-249-393-11	CARBON 10 5% 1/4W	
R180	1-249-429-11	CARBON 10K 5% 1/4W	

*	A-4390-094-A	DISPLAY BOARD, COMPLETE (EXCEPT D550Z/AUS)	
*	A-4390-117-A	DISPLAY BOARD, COMPLETE (AUS)	
*	A-4390-406-A	DISPLAY BOARD, COMPLETE (D550Z) *****	
*	4-921-941-01	CUSHION (FL)	
*	4-981-656-01	HOLDER, FL TUBE	
	7-682-548-04	SCREW +BVTT 3X8 (S)	

Ref. No.	Part No.	Description	Remark	Ref. No.	Part No.	Description	Remark
< CAPACITOR >				D124	8-719-301-49	DIODE SEL2810A-CD (TAPE MONITOR)	
C100	1-126-096-11	ELECT	10uF 20% 35V	D125	8-719-313-43	DIODE SEL6210S-TH10 (STANDBY)(AUS)	
C101	1-126-096-11	ELECT	10uF 20% 35V	D128	8-719-987-63	DIODE 1N4148M-TP	
C102	1-124-261-00	ELECT	10uF 20% 50V	D140	8-719-987-63	DIODE 1N4148M-TP	
C105	1-104-905-11	CAPACITOR	0.22F 5.5V	D141	8-719-987-63	DIODE 1N4148M-TP	
C106	1-164-159-11	CERAMIC	0.1uF 50V	D142	8-719-987-63	DIODE 1N4148M-TP	
C107	1-136-173-00	FILM	0.47uF 5% 50V	D143	8-719-987-63	DIODE 1N4148M-TP	
C109	1-164-159-11	CERAMIC	0.1uF 50V	D144	8-719-987-63	DIODE 1N4148M-TP	
C110	1-164-159-11	CERAMIC	0.1uF 50V	D145	8-719-987-63	DIODE 1N4148M-TP	
C111	1-162-306-11	CERAMIC	0.01uF 30% 16V	< INDICATOR TUBE, FLUORESCENT >			
C112	1-164-159-11	CERAMIC	0.1uF 50V	FL101	1-517-519-11	INDICATOR TUBE, FLUORESCENT	
C113	1-164-159-11	CERAMIC	0.1uF 50V	< IC >			
C114	1-164-159-11	CERAMIC	0.1uF 50V	IC101	8-759-635-31	IC M50253P	
C115	1-124-589-11	ELECT	47uF 20% 16V	IC102	8-749-923-11	IC GP1U58XB	
C116	1-124-443-00	ELECT	100MF 20% 10V	IC103	8-759-820-62	IC LB1639	
C117	1-162-282-31	CERAMIC	100PF 10% 50V	IC104	8-759-398-27	IC MB90673PF-G-156	
C118	1-126-968-11	ELECT	100uF 20% 50V	IC105	8-759-261-63	IC M66004M6FP	
C121	1-162-282-31	CERAMIC	100PF 10% 50V	< COIL >			
C122	1-162-282-31	CERAMIC	100PF 10% 50V	L101	1-410-509-11	INDUCTOR 10uH	
C123	1-162-282-31	CERAMIC	100PF 10% 50V	< TRANSISTOR >			
C124	1-162-282-31	CERAMIC	100PF 10% 50V	Q101	8-729-900-80	TRANSISTOR BA1A4M-TP (AUS)	
C125	1-162-282-31	CERAMIC	100PF 10% 50V	Q103	8-729-900-36	TRANSISTOR BA1F4M-TP	
C126	1-162-282-31	CERAMIC	100PF 10% 50V	Q105	8-729-119-79	TRANSISTOR 2SC2785TP-FEK	
C127	1-162-282-31	CERAMIC	100PF 10% 50V	Q106	8-729-900-80	TRANSISTOR BA1A4M-TP	
C128	1-162-282-31	CERAMIC	100PF 10% 50V	Q107	8-729-119-76	TRANSISTOR 2SA1115TP-EF	
C129	1-162-282-31	CERAMIC	100PF 10% 50V	Q108	8-729-900-80	TRANSISTOR BA1A4M-TP(AUS)	
C130	1-162-282-31	CERAMIC	100PF 10% 50V	< RESISTOR >			
C131	1-162-282-31	CERAMIC	100PF 10% 50V	R100	1-249-413-11	CARBON 470 5% 1/4W	
C132	1-162-282-31	CERAMIC	100PF 10% 50V	R101	1-249-429-11	CARBON 10K 5% 1/4W	
C133	1-162-282-31	CERAMIC	100PF 10% 50V	R102	1-249-413-11	CARBON 470 5% 1/4W	
C134	1-162-282-31	CERAMIC	100PF 10% 50V	R103	1-249-385-11	CARBON 2.2 5% 1/6W	
C135	1-162-282-31	CERAMIC	100PF 10% 50V	R104	1-249-807-31	CARBON 100 5% 1/4W	
C136	1-162-282-31	CERAMIC	100PF 10% 50V	R105	1-249-429-11	CARBON 10K 5% 1/4W	
< CONNECTOR >				R106	1-249-429-11	CARBON 10K 5% 1/4W	
CNJ100	1-770-396-11	HOUSING, CONNECTOR (PC BOARD) 3P		R107	1-249-419-11	CARBON 1.5K 5% 1/4W	
CNJ103	1-770-401-11	HOUSING, CONNECTOR (PC BOARD) 8P		R108	1-249-417-11	CARBON 1K 5% 1/4W	
* CNJ104	1-565-482-11	CONNECTOR, BOARD TO BOARD 6P		R109	1-249-417-11	CARBON 1K 5% 1/4W	
* CNJ109	1-565-480-11	CONNECTOR, BOARD TO BOARD 4P		R110	1-249-417-11	CARBON 1K 5% 1/4W	
* CNS100	1-568-864-11	SOCKET, CONNECTOR 21P		R111	1-249-417-11	CARBON 1K 5% 1/4W	
* CNS101	1-568-867-11	SOCKET, CONNECTOR 25P		R112	1-249-417-11	CARBON 1K 5% 1/4W	
< DIODE >				R113	1-249-425-11	CARBON 4.7K 5% 1/4W	
D109	8-719-987-63	DIODE 1N4148M-TP (AUS)		R114	1-249-441-11	CARBON 100K 5% 1/4W	
D110	8-719-987-63	DIODE 1N4148M-TP (AUS)		R115	1-249-437-11	CARBON 47K 5% 1/4W	
D115	8-719-987-63	DIODE 1N4148M-TP		R116	1-249-425-11	CARBON 4.7K 5% 1/4W	
D116	8-719-987-63	DIODE 1N4148M-TP		R117	1-249-429-11	CARBON 10K 5% 1/4W	
D117	8-719-987-63	DIODE 1N4148M-TP (D550Z)		R118	1-249-429-11	CARBON 10K 5% 1/4W	
D118	8-719-301-49	DIODE SEL2810A-CD (INDEX)					
D119	8-719-301-49	DIODE SEL2810A-CD (TONE)					
D120	8-719-301-49	DIODE SEL2810A-CD (SUR)					

DISPLAY**F2 TO F3****FF TRANSFORMER****H/P****PHONO AMP**

Ref. No.	Part No.	Description	Remark	Ref. No.	Part No.	Description	Remark
R119	1-249-385-11	CARBON	2.2 5% 1/6W	S124	1-554-303-21	SWITCH, TACTILE (DPC MODE)	
R120	1-249-417-11	CARBON	1K 5% 1/4W	S125	1-554-303-21	SWITCH, TACTILE (1)	
R122	1-249-434-11	CARBON	27K 5% 1/4W	S126	1-554-303-21	SWITCH, TACTILE (4)	
R123	1-249-437-11	CARBON	47K 5% 1/4W	S127	1-554-303-21	SWITCH, TACTILE (7)	
R124	1-249-429-11	CARBON	10K 5% 1/4W	S128	1-554-303-21	SWITCH, TACTILE (DIRECT)	
R125	1-247-807-31	CARBON	100 5% 1/4W	S129	1-554-303-21	SWITCH, TACTILE (ON/OFF)	
R126	1-247-807-31	CARBON	100 5% 1/4W	S130	1-554-303-21	SWITCH, TACTILE (CENTER MODE)	
R128	1-249-433-11	CARBON	100 5% 1/4W	S131	1-554-303-21	SWITCH, TACTILE (PHONO)	
R129	1-249-433-11	CARBON	22K 5% 1/4W	S132	1-554-303-21	SWITCH, TACTILE (TUNER)	
R130	1-249-433-11	CARBON	22K 5% 1/4W	S133	1-554-303-21	SWITCH, TACTILE (CD)	
R131	1-249-433-11	CARBON	22K 5% 1/4W	S134	1-554-303-21	SWITCH, TACTILE (DAT/MD)	
R132	1-249-433-11	CARBON	22K 5% 1/4W	S136	1-554-303-21	SWITCH, TACTILE (MODE)	
R133	1-249-433-11	CARBON	22K 5% 1/4W	S137	1-554-303-21	SWITCH, TACTILE (TONE ON/OFF)	
R134	1-249-433-11	CARBON	22K 5% 1/4W	S139	1-554-303-21	SWITCH, TACTILE (VIDEO 1)	
R135	1-249-437-11	CARBON	47K 5% 1/4W	S140	1-554-303-21	SWITCH, TACTILE (VIDEO 2)	
R136	1-249-437-11	CARBON	47K 5% 1/4W (EXCEPT D550Z)	S142	1-554-303-21	SWITCH, TACTILE (TV/DBS)	
R137	1-249-437-11	CARBON	47K 5% 1/4W (EXCEPT D550Z)	S143	1-554-303-21	SWITCH, TACTILE (TAPE MONITOR)	
R138	1-249-437-11	CARBON	47K 5% 1/4W (EXCEPT D550Z)			< VIBRATOR >	
R140	1-249-425-11	CARBON	4.7K 5% 1/4W	X100	1-567-819-11	VIBRATOR, CERAMIC (4.00MHz)	
R141	1-249-417-11	CARBON	1K 5% 1/4W			*****	
R142	1-249-417-11	CARBON	1K 5% 1/4W	*	1-660-473-11	F2 TO F3 BOARD	
R144	1-249-425-11	CARBON	4.7K 5% 1/4W			*****	
R145	1-249-425-11	CARBON	4.7K 5% 1/4W			< CONNECTOR >	
R146	1-249-429-11	CARBON	10K 5% 1/4W	CNJ301	1-750-179-11	SOCKET, CONNECTOR 5P	
R150	1-249-437-11	CARBON	47K 5% 1/4W	CNP201	1-750-180-11	PIN, CONNECTOR (PC BOARD) 5P	
R155	1-249-429-11	CARBON	10K 5% 1/4W			*****	
R158	1-249-413-11	CARBON	470 5% 1/4W (AUS)	*	1-660-489-11	FF TRANSFORMER BOARD	
R161	1-249-437-11	CARBON	47K 5% 1/4W			*****	
R162	1-249-433-11	CARBON	22K 5% 1/4W			< CONNECTOR >	
R163	1-249-417-11	CARBON	1K 5% 1/4W	*	1-660-486-11	H/P BOARD	

						< CONNECTOR >	
						< JACK >	
						J100	1-568-519-41 JACK, LARGE TYPE (PHONES)

						*	A-4390-098-A PHONO AMP BOARD, COMPLETE

							< CAPACITOR >
						C303	1-162-282-31 CERAMIC 100PF 10% 50V
						C304	1-104-664-11 ELECT 47uF 20% 25V
						C305	1-130-480-00 MYLAR 0.0056uF 5% 50V
						C306	1-130-473-00 MYLAR 0.0015uF 5% 50V
						C307	1-124-903-11 ELECT 1uF 20% 50V
S109	1-554-303-21	SWITCH, TACTILE (UP)					
S110	1-554-303-21	SWITCH, TACTILE (DOWN)					
S111	1-554-303-21	SWITCH, TACTILE (3)					
S112	1-554-303-21	SWITCH, TACTILE (6)					
S113	1-554-303-21	SWITCH, TACTILE (9)					
S116	1-554-303-21	SWITCH, TACTILE (<)					
S117	1-554-303-21	SWITCH, TACTILE (>)					
S118	1-554-303-21	SWITCH, TACTILE (2)					
S119	1-554-303-21	SWITCH, TACTILE (5)					
S120	1-554-303-21	SWITCH, TACTILE (8)					
S121	1-554-303-21	SWITCH, TACTILE (0)					
S123	1-554-303-21	SWITCH, TACTILE (GENRE)					

PHONO AMP

PRIMARY JOINT

PRIMARY TRANSFORMER

SECONDARY

SECONDARY JOINT

SP JOINT

SP SW

Ref. No.	Part No.	Description	Remark		
C308	1-164-159-11	CERAMIC	0.1uF		50V
C353	1-162-282-31	CERAMIC	100PF	10%	50V
C354	1-104-664-11	ELECT	47uF	20%	25V
C355	1-130-480-00	MYLAR	0.0056uF	5%	50V
C356	1-130-473-00	MYLAR	0.0015uF	5%	50V
C357	1-124-903-11	ELECT	1uF	20%	50V
C358	1-164-159-11	CERAMIC	0.1uF		50V
< CONNECTOR >					
CNP302	1-695-095-11	SOCKET, CONNECTOR 13P			
CNJ303	1-695-095-11	SOCKET, CONNECTOR 13P			
CNJ304	1-695-092-11	SOCKET, CONNECTOR 7P			
< IC >					
IC301	8-759-634-51	IC M5218AP			
< RESISTOR >					
R303	1-249-441-11	CARBON	100K	5%	1/4W
R304	1-249-416-11	CARBON	820	5%	1/4W
R305	1-247-897-11	CARBON	560K	5%	1/4W
R306	1-249-437-11	CARBON	47K	5%	1/4W
R307	1-249-441-11	CARBON	100K	5%	1/4W
R308	1-247-807-31	CARBON	100	5%	1/4W
R353	1-249-441-11	CARBON	100K	5%	1/4W
R354	1-249-416-11	CARBON	820	5%	1/4W
R355	1-247-897-11	CARBON	560K	5%	1/4W
R356	1-249-437-11	CARBON	47K	5%	1/4W
R357	1-249-441-11	CARBON	100K	5%	1/4W
R358	1-247-807-31	CARBON	100	5%	1/4W

*	1-660-476-11	PRIMARY JOINT BOARD			

< CONNECTOR >					
CNJ902	1-770-568-11	SOCKET 3P			

*	1-660-475-11	PRIMARY TRANSFORMER BOARD			

*	1-660-490-11	SECONDARY BOARD			

*	1-660-491-11	SECONDARY JOINT BOARD			

1-533-399-31	HOLDER, FUSE				

Ref. No.	Part No.	Description	Remark		
< CONNECTOR >					
* CNJ801	1-750-533-11	SOCKET 6P			
* CNJ802	1-565-480-11	CONNECTOR, BOARD TO BOARD 4P			
< DIODE >					
D804	8-719-987-63	DIODE 1N4148M-TP			
D908	8-719-014-66	DIODE UZP-5.6B-TP			
< FUSE >					
△F801	1-533-311-11	FUSE, GLASS CYLINDRICAL (DIA.5) (8A 125V) (D650Z/DE705:US,CND)			
△F801	1-533-310-11	FUSE, GLASS TUBE (6.3A 125V) (D550Z/DE605)			
△F801	1-532-506-51	FUSE, TIME LAG (T6.3AL 250V) (DE705:AUS)			
△F802	1-533-311-11	FUSE, GLASS CYLINDRICAL (DIA.5) (8A 125V) (D650Z/DE705:US,CND)			
△F802	1-533-310-11	FUSE, GLASS TUBE (6.3A 125V) (D550Z/DE605)			
△F802	1-532-506-51	FUSE, TIME LAG (T6.3AL 250V) (AUS)			
△F803	1-576-108-11	FUSE (4A 125V) (EXCEPT AUS)			
△F803	1-532-504-51	FUSE, TIME LAG (T4AL 250V) (AUS)			
△F804	1-576-108-11	FUSE (4A 125V) (EXCEPT AUS)			
△F804	1-532-504-51	FUSE, TIME LAG (T4AL 250V) (AUS)			
< RELAY >					
RY801	1-515-894-11	RELAY (EXCEPT CND)			
RY851	1-515-918-11	RELAY (CND)			
RY852	1-515-918-11	RELAY (CND)			

*	1-660-482-11	SP JOINT BOARD			

< CONNECTOR >					
CNJ702	1-770-569-11	SOCKET 4P			
CNP703	1-770-481-11	PIN, CONNECTOR 4P			

*	1-660-479-11	SP SW BOARD			

< CONNECTOR >					
* CNP104	1-569-798-11	PLUG, CONNECTOR 6P			
< DIODE >					
D113	8-719-987-63	DIODE 1N4148M-TP			
D114	8-719-987-63	DIODE 1N4148M-TP			
< SWITCH >					
S101	1-762-268-11	SWITCH, ROTARY (SPEAKERS)			
S102	1-554-118-00	SWITCH, PUSH (1 KEY) (POWER)(AUS)			
S108	1-554-303-21	SWITCH, TACTILE (POWER) (EXCEPT AUS)			

The components identified by mark △ or dotted line with mark △ are critical for safety. Replace only with part number specified.	Les composants identifiés par une marque △ sont critiques pour la sécurité. Ne les remplacer que par une pièce portant le numéro spécifié.
---	---

SP TM **STANDBY**

Ref. No.	Part No.	Description	Remark
*	1-660-488-11	SP TM BOARD ***** < CONNRCTOR >	
CNJ703	1-770-569-11	SOCKET 4P	
CNJ704	1-695-092-11	SOCKET, CONNECTOR 7P < DIODE >	
D712	8-719-987-63	DIODE 1N4148M-TP	
D762	8-719-987-63	DIODE 1N4148M-TP < JACK >	
J701	1-770-377-21	JACK, PIN 1P (MIX AUDIO OUT) (DE605/DE705) < COIL >	
L701	1-420-872-00	COIL, AIR-CORE	
L751	1-420-872-00	COIL, AIR-CORE < TRANSISTOR >	
Q714	8-729-119-79	TRANSISTOR 2SC2785TP-FEK	
Q716	8-729-900-80	TRANSISTOR BA1A4M-TP	
Q717	8-729-119-76	TRANSISTOR 2SA1115TP-EF	
Q718	8-729-900-80	TRANSISTOR BA1A4M-TP	
Q764	8-729-119-79	TRANSISTOR 2SC2785TP-FEK < RESISTOR >	
R713	1-249-389-11	CARBON 4.7 5% 1/4W	
R718	1-249-421-11	CARBON 2.2K 5% 1/4W (DE605/DE705)	
R724	1-249-429-11	CARBON 10K 5% 1/4W	
R725	1-249-425-11	CARBON 4.7K 5% 1/4W	
R726	1-249-414-11	CARBON 560 5% 1/4W	
R729	1-249-438-11	CARBON 56K 5% 1/4W (DE605/DE705)	
R730	1-249-438-11	CARBON 56K 5% 1/4W (DE605/DE705)	
R731	1-249-438-11	CARBON 56K 5% 1/4W (DE605/DE705)	
R732	1-249-438-11	CARBON 56K 5% 1/4W (DE605/DE705)	
R733	1-249-429-11	CARBON 10K 5% 1/4W	
R734	1-249-429-11	CARBON 10K 5% 1/4W	
R763	1-249-389-11	CARBON 4.7 5% 1/4W	
R774	1-249-429-11	CARBON 10K 5% 1/4W	
R775	1-249-425-11	CARBON 4.7K 5% 1/4W	
R776	1-249-414-11	CARBON 560 5% 1/4W < RELAY >	
RY701	1-515-741-11	RELAY (D650Z/DE705)	
RY701	1-515-765-11	RELAY (D550Z/DE605)	
RY702	1-515-741-11	RELAY (D650Z/DE705)	
RY702	1-515-765-11	RELAY (D550Z/DE605)	

Ref. No.	Part No.	Description	Remark
		< SWITCH >	
S701	1-692-196-11	SWITCH, SLIDE (IMPEDANCE SELECTOR) (D650Z/DE705) < TERMINAL >	
TM701	1-537-376-11	TERMINAL BOARD (SP) (FRONT SPEAKERS) *****	
*	A-4390-110-A	STANDBY BOARD, COMPLETE (EXCEPT AUS)	
*	A-4390-119-A	STANDBY BOARD, COMPLETE (AUS) *****	
	1-533-399-31	HOLDER, FUSE	
*	1-537-738-21	TERMINAL, EARTH < CAPACITOR >	
C901	1-161-494-00	CERAMIC 0.022uF 25V	
C902	1-161-494-00	CERAMIC 0.022uF 25V	
C903	1-126-942-61	ELECT 1000uF 20% 25V	
C904	1-124-903-11	ELECT 1uF 20% 50V	
C905	1-124-902-00	ELECT 0.47uF 20% 50V	
C906	1-124-464-11	ELECT 0.22uF 20% 50V	
C907	1-164-159-11	CERAMIC 0.1 50V	
C913	1-164-159-11	CERAMIC 0.1uF 50V	
C914	1-164-159-11	CERAMIC 0.1uF 50V < AC OUTLET >	
△ CNJ901	1-540-060-11	OUTLET, AC (POLAR) (AC OUTLET) (EXCEPT AUS)	
△ CNJ901	1-251-078-11	OUTLET, AC (AC OUTLET) (AUS) < CONNECTOR >	
CNP803	1-770-408-11	CONNECTOR, BOARD TO BOARD 14P	
CNJ905	1-770-380-11	CONNECTOR, BOARD TO BOARD 8P	
* CNP902	1-564-751-11	PIN, CONNECTOR (WITH LOCK) 2P	
CNP903	1-564-321-00	PIN, CONNECTOR 2P	
* CNP904	1-580-230-21	PIN, CONNECTOR (PC BOARD) 2P (AUS) < DIODE >	
D901	8-719-024-99	DIODE 11ES2-NTA2B	
D902	8-719-024-99	DIODE 11ES2-NTA2B	
D903	8-719-024-99	DIODE 11ES2-NTA2B	
D904	8-719-024-99	DIODE 11ES2-NTA2B	
D905	8-719-987-63	DIODE 1N4148M-TP	
D906	8-719-987-63	DIODE 1N4148M-TP	
D907	8-719-987-63	DIODE 1N4148M-TP < FUSE >	
△ F901	1-533-311-11	FUSE, GLASS CYLINDRICAL (DIA.5) (8A 125V) (D650Z/DE705:US,CND)	
△ F901	1-533-310-11	FUSE, GLASS TUBE (6.3A 125V) (D550Z/DE605)	
△ F901	1-532-506-51	FUSE, TIME LAG (T6.3AL 250V) (AUS)	
△ F902	1-532-464-51	FUSE, TIME LAG (T2.5AL 250V) (AUS)	

The components identified by mark △ or dotted line with mark △ are critical for safety. Replace only with part number specified.	Les composants identifiés par une marque △ sont critiques pour la sécurité. Ne les remplacer que par une pièce portant le numéro spécifié.
---	---

STANDBY

STANDBY TO AMP JOINT

SURROUND

Ref. No.	Part No.	Description	Remark		
		< IC >			
IC901	8-759-333-83	IC NJM2103D			
		< TRANSISTOR >			
Q901	8-729-119-79	TRANSISTOR 2SC2785TP-FEK			
Q902	8-729-030-18	TRANSISTOR 2SD2525 (TP)			
		< RESISTOR >			
△R901	1-202-725-00	SOLID	3.3M	10%	1/2W F (EXCEPT AUS)
R902	1-249-429-11	CARBON	10K	5%	1/4W
R903	1-249-425-11	CARBON	4.7K	5%	1/4W
R904	1-249-417-11	CARBON	1K	5%	1/4W
R905	1-249-429-11	CARBON	10K	5%	1/4W
R906	1-247-840-00	CARBON	2.4K	5%	1/4W
R908	1-249-433-11	CARBON	22K	5%	1/4W
R909	1-249-439-11	CARBON	68K	5%	1/4W
R910	1-249-429-11	CARBON	10K	5%	1/4W
R911	1-249-417-11	CARBON	1K	5%	1/4W
R912	1-249-423-11	CARBON	3.3K	5%	1/4W
		< RELAY >			
△RY901	1-515-999-11	RELAY, POWER			
		< TRANSFORMER >			
△T902	1-450-361-11	TRANSFORMER, POWER (EXCEPT AUS)			
△T902	1-450-358-11	TRANSFORMER, POWER (AUS)			

*	1-660-484-11	STANDBY TO AMP JOINT BOARD			

		< CONNECTOR >			
CNP704	1-695-087-11	PIN, CONNECTOR (PC BOARD) 7P			
CNP905	1-770-405-11	CONNECTOR, BOARD TO BOARD 8P			
CNP803	1-770-408-11	CONNECTOR, BOARD TO BOARD 14P			

*	A-4390-407-A	SURROUND BOARD, COMPLETE (D550Z/DE605)			
*	A-4390-146-A	SURROUND BOARD, COMPLETE (DE705:AUS)			
*	A-4390-107-A	SURROUND BOARD, COMPLETE (DE705:US,CND)			
*	A-4390-490-A	SURROUND BOARD, COMPLETE (D650Z)			

*	1-537-738-21	TERMINAL, EARTH			
		< CAPACITOR >			
C301	1-126-163-11	ELECT	4.7uF	20%	50V
C302	1-164-073-11	CERAMIC	100PF	10%	50V
C311	1-126-163-11	ELECT	4.7uF	20%	50V
C312	1-126-163-11	ELECT	4.7uF	20%	50V
C313	1-126-163-11	ELECT	4.7uF	20%	50V

Ref. No.	Part No.	Description	Remark		
C316	1-164-159-11	CERAMIC	0.1uF		50V
C351	1-126-163-11	ELECT	4.7uF	20%	50V
C352	1-164-073-11	CERAMIC	100PF	10%	50V
C361	1-126-163-11	ELECT	4.7uF	20%	50V
C362	1-126-163-11	ELECT	4.7uF	20%	50V
C363	1-126-163-11	ELECT	4.7uF	20%	50V
C366	1-164-159-11	CERAMIC	0.1uF		50V
C397	1-164-073-11	CERAMIC	100PF	10%	50V
C398	1-164-085-11	CERAMIC	0.001uF	10%	50V
C400	1-162-282-31	CERAMIC	100PF	10%	50V
C403	1-136-157-00	FILM	0.022uF	5%	50V
C404	1-136-161-00	FILM	0.047uF	5%	50V
C405	1-104-666-11	ELECT	220uF	20%	10V
C406	1-124-907-11	ELECT	10uF	20%	50V
C407	1-124-907-11	ELECT	10uF	20%	50V
C408	1-124-907-11	ELECT	10uF	20%	50V
C409	1-124-907-11	ELECT	10uF	20%	50V
C410	1-104-666-11	ELECT	220uF	20%	10V
C411	1-126-963-11	ELECT	4.7uF	20%	50V
C412	1-126-963-11	ELECT	4.7uF	20%	50V
C413	1-136-165-00	FILM	0.1uF	5%	50V
C414	1-136-165-00	FILM	0.1uF	5%	50V
C415	1-124-902-00	ELECT	0.47uF	20%	50V
C416	1-126-963-11	ELECT	4.7uF	20%	50V
C417	1-124-902-00	ELECT	0.47uF	20%	50V
C418	1-126-963-11	ELECT	4.7uF	20%	50V
C419	1-124-250-11	ELECT	0.15uF	20%	50V
C420	1-126-962-11	ELECT	3.3uF	20%	50V
C421	1-124-250-11	ELECT	0.15uF	20%	50V
C422	1-162-282-31	CERAMIC	100PF	10%	50V
C423	1-104-664-11	ELECT	47uF	20%	16V
C424	1-136-165-00	FILM	0.1uF	5%	50V
C425	1-136-165-00	FILM	0.1uF	5%	50V
C426	1-124-902-00	ELECT	0.47uF	20%	50V
C427	1-126-963-11	ELECT	4.7uF	20%	50V
C428	1-126-963-11	ELECT	4.7uF	20%	50V
C429	1-124-250-11	ELECT	0.15uF	20%	50V
C430	1-124-902-00	ELECT	0.47uF	20%	50V
C431	1-126-962-11	ELECT	3.3uF	20%	50V
C432	1-124-250-11	ELECT	0.15uF	20%	50V
C433	1-104-666-11	ELECT	220uF	20%	10V
C434	1-104-664-11	ELECT	47uF	20%	16V
C435	1-164-159-11	CERAMIC	0.1uF		50V
C436	1-126-961-11	ELECT	2.2uF	20%	50V
C437	1-104-666-11	ELECT	220uF	20%	10V
C438	1-136-165-00	FILM	0.1uF	5%	50V
C439	1-124-907-11	ELECT	10uF	20%	50V
C440	1-130-469-00	MYLAR	680PF	5%	50V
C444	1-126-963-11	ELECT	4.7uF	20%	50V
C446	1-164-159-11	CERAMIC	0.1uF		50V
C447	1-136-173-00	FILM	0.47uF	5%	50V
C448	1-126-963-11	ELECT	4.7uF	20%	50V

The components identified by mark △ or dotted line with mark △ are critical for safety. Replace only with part number specified.	Les composants identifiés par une marque △ sont critiques pour la sécurité. Ne les remplacer que par une pièce portant le numéro spécifié.
---	---

SURROUND

Ref. No.	Part No.	Description	Remark			Ref. No.	Part No.	Description	Remark		
C449	1-162-215-31	CERAMIC	47PF	5%	50V	C562	1-136-157-00	FILM	0.022uF	5%	50V
C450	1-162-215-31	CERAMIC	47PF	5%	50V	C563	1-164-046-11	CERAMIC	10PF	0.5PF	50V
C451	1-164-159-11	CERAMIC	0.1uF		50V	C564	1-164-046-11	CERAMIC	10PF	0.5PF	50V
C452	1-104-666-11	ELECT	220uF	20%	10V	C593	1-124-929-11	ELECT	22uF	20%	100V
C453	1-136-159-00	FILM	0.033uF	5%	50V	C594	1-124-929-11	ELECT	22uF	20%	100V
C454	1-130-473-00	MYLAR	0.0015uF	5%	50V	C595	1-164-159-11	CERAMIC	0.1uF		50V
C455	1-136-159-00	FILM	0.33uF	5%	50V	C596	1-104-664-11	ELECT	47uF	20%	16V
C456	1-124-903-11	ELECT	1uF	20%	50V	C597	1-104-664-11	ELECT	47uF	20%	16V
C457	1-104-666-11	ELECT	220uF	20%	10V	C598	1-162-282-31	CERAMIC	100PF	10%	50V
C461	1-164-159-11	CERAMIC	0.1uF		50V	< CONNECTOR >					
C462	1-164-159-11	CERAMIC	0.1uF		50V	CNJ501	1-770-404-11	HOUSING,CONNECTOR (PC BOARD)	11P		
C470	1-136-153-00	FILM	0.01uF	5%	50V	CNJ502	1-770-404-11	HOUSING,CONNECTOR (PC BOARD)	11P		
C471	1-126-963-11	ELECT	4.7uF	20%	50V	CNP303	1-695-090-11	PIN,CONNECTOR (PC BOARD)	13P		
C473	1-126-963-11	ELECT	4.7uF	4.7uF	50V	CNP304	1-695-087-11	PIN,CONNECTOR (PC BOARD)	7P		
C474	1-164-159-11	CERAMIC	0.1uF		50V	* CNS402	1-568-841-11	SOCKET, CONNECTOR	25P		
C480	1-136-153-00	FILM	0.01uF	5%	50V	* CNS403	1-568-828-11	SOCKET, CONNECTOR	9P (DE705:US,CND)		
C481	1-126-963-11	ELECT	4.7uF	20%	50V	CNS404	1-568-440-11	SOCKET, CONNECTOR	17P		
C484	1-164-159-11	CERAMIC	0.1uF		50V	< DIODE >					
C491	1-126-963-11	ELECT	4.7uF	20%	50V	D401	8-719-936-61	DIODE	GL9HY35		
C494	1-126-963-11	ELECT	4.7uF	20%	50V	D402	8-719-987-63	DIODE	1N4148M-TP		
C501	1-126-963-11	ELECT	4.7uF	20%	50V	D403	8-719-024-99	DIODE	11ES2-NTA2B		
C502	1-164-073-11	CERAMIC	100PF	10%	50V	< IC >					
C503	1-102-989-00	CERAMIC	68PF	5%	500V	IC302	8-759-634-50	IC	M5218AL		
C504	1-102-989-00	CERAMIC	68PF	5%	500V	IC303	8-759-634-50	IC	M5218AL		
C505	1-104-665-11	ELECT	100uF	20%	16V	IC305	8-759-805-14	IC	LC7822		
C506	1-136-159-00	FILM	0.033uF	5%	50V	IC401	8-759-248-74	IC	LA2785		
C507	1-136-171-00	FILM	0.33uF	5%	50V	IC402	8-759-341-23	IC	LV1011		
C508	1-124-910-11	ELECT	47uF	20%	50V	IC403	8-759-634-51	IC	M5218AP		
C509	1-136-163-00	FILM	0.068uF	5%	50V	IC404	8-759-801-01	IC	LC4966		
C510	1-136-154-00	FILM	0.012uF	5%	50V	IC501	8-749-010-79	IC	STK350-030		
C511	1-130-476-00	MYLAR	0.0027uF	5%	50V	IC502	8-759-072-32	IC	TC9184P		
C512	1-136-157-00	FILM	0.022uF	5%	50V	IC503	8-749-011-16	IC	STK350-230		
C513	1-164-046-11	CERAMIC	10PF	0.5PF	50V	< JACK >					
C514	1-164-046-11	CERAMIC	10PF	0.5PF	50V	J301	1-691-887-11	JACK, PIN	6P		
C521	1-126-963-11	ELECT	4.7uF	20%	50V						(PHONO IN,CD IN,DAT/MD:REC OUT)
C522	1-164-073-11	CERAMIC	100PF	10%	50V	J302	1-580-825-11	JACK, PIN	6P		
C523	1-104-664-11	ELECT	47uF	20%	16V						(DAT/MD:IN,TAPE MONITOR:REC OUT,IN)
C524	1-102-989-00	CERAMIC	68PF	5%	500V	< COIL >					
C525	1-102-989-00	CERAMIC	68PF	5%	500V	L401	1-410-509-11	INDUCTOR	10uH		
C526	1-164-040-11	CERAMIC	4PF	0.25PF	50V	L402	1-410-509-11	INDUCTOR	10uH		
C551	1-126-963-11	ELECT	4.7uF	20%	50V	< TRANSISTOR >					
C552	1-164-073-11	CERAMIC	100PF	10%	50V	Q301	8-729-141-30	TRANSISTOR	2SC3623ATP-LK		
C553	1-102-989-00	CERAMIC	68PF	5%	500V	Q302	8-729-141-30	TRANSISTOR	2SC3623ATP-LK		
C554	1-102-989-00	CERAMIC	68PF	5%	500V	Q401	8-729-141-30	TRANSISTOR	2SC3623ATP-LK		
C555	1-104-665-11	ELECT	100uF	20%	16V	Q402	8-729-141-30	TRANSISTOR	2SC3623ATP-LK		
C556	1-136-159-00	FILM	0.033uF	5%	50V						
C557	1-136-171-00	FILM	0.33uF	5%	50V						
C558	1-124-910-11	ELECT	47uF	20%	50V						
C559	1-136-163-00	FILM	0.068uF	5%	50V						
C560	1-136-154-00	FILM	0.012uF	5%	50V						
C561	1-130-476-00	MYLAR	0.0027uF	5%	50V						

SURROUND

Ref. No.	Part No.	Description	Remark	Ref. No.	Part No.	Description	Remark
Q403	8-729-140-96	TRANSISTOR 2SD774-T-34		R436	1-249-437-11	CARBON 47K 5%	1/4W
Q409	8-729-900-63	TRANSISTOR BN1F4M-TP		R437	1-249-416-11	CARBON 820 5%	1/4W
Q410	8-729-900-63	TRANSISTOR BN1F4M-TP		R438	1-249-429-11	CARBON 10K 5%	1/4W
Q411	8-729-900-63	TRANSISTOR BN1F4M-TP		R443	1-249-433-11	CARBON 22K 5%	1/4W
Q461	8-729-900-36	TRANSISTOR BA1F4M-TP		R448	1-249-417-11	CARBON 1K 5%	1/4W
Q462	8-729-900-63	TRANSISTOR BN1F4M-TP		R461	1-249-437-11	CARBON 47K 5%	1/4W
Q501	8-729-141-30	TRANSISTOR 2SC3623ATP-LK		R471	1-249-429-11	CARBON 10K 5%	1/4W
Q502	8-729-202-67	TRANSISTOR 2SK246GR3-TPE2		R472	1-249-431-11	CARBON 15K 5%	1/4W
Q551	8-729-141-30	TRANSISTOR 2SC3623ATP-LK		R473	1-249-429-11	CARBON 10K 5%	1/4W
Q552	8-729-202-67	TRANSISTOR 2SK246GR3-TPE2		R474	1-249-417-11	CARBON 1K 5%	1/4W
< RESISTOR >				R475	1-249-425-11	CARBON 4.7K 5%	1/4W
R301	1-249-409-11	CARBON 220 5%	1/4W	R476	1-249-441-11	CARBON 100K 5%	1/4W
R302	1-249-441-11	CARBON 110K 5%	1/4W	R481	1-249-429-11	CARBON 10K 5%	1/4W
R310	1-249-421-11	CARBON 2.2K 5%	1/4W	R482	1-247-883-00	CARBON 150K 5%	1/4W
R311	1-249-417-11	CARBON 1K 5%	1/4W	R483	1-249-429-11	CARBON 10K 5%	1/4W
R312	1-249-417-11	CARBON 1K 5%	1/4W	R484	1-249-417-11	CARBON 1K 5%	1/4W
R313	1-249-417-11	CARBON 1K 5%	1/4W	R485	1-249-425-11	CARBON 4.7K 5%	1/4W
R314	1-249-417-11	CARBON 1K 5%	1/4W	R486	1-249-441-11	CARBON 100K 5%	1/4W
R315	1-249-441-11	CARBON 100K 5%	1/4W	R501	1-249-417-11	CARBON 1K 5%	1/4W
R316	1-249-437-11	CARBON 47K 5%	1/4W	R502	1-249-441-11	CARBON 100K 5%	1/4W
R317	1-249-437-11	CARBON 47K 5%	1/4W	R503	1-249-413-11	CARBON 470 5%	1/4W
R318	1-249-441-11	CARBON 100K 5%	1/4W	R504	1-249-440-11	CARBON 82K 5%	1/4W
R320	1-249-425-11	CARBON 4.7K 5%	1/4W	R505	1-249-433-11	CARBON 22K 5%	1/4W
R321	1-249-429-11	CARBON 10K 5%	1/4W	R506	1-249-413-11	CARBON 470 5%	1/4W
R351	1-249-409-11	CARBON 220 5%	1/4W	R507	1-249-427-11	CARBON 6.8K 5%	1/4W
R352	1-249-441-11	CARBON 100K 5%	1/4W	R508	1-247-883-00	CARBON 150K 5%	1/4W
R360	1-249-421-11	CARBON 2.2K 5%	1/4W	R509	1-249-423-11	CARBON 3.3K 5%	1/4W
R361	1-249-417-11	CARBON 1K 5%	1/4W	R510	1-247-903-00	CARBON 1M 5%	1/4W
R362	1-249-417-11	CARBON 1K 5%	1/4W	R511	1-249-441-11	CARBON 100K 5%	1/4W
R363	1-249-417-11	CARBON 1K 5%	1/4W	R512	1-249-426-11	CARBON 5.6K 5%	1/4W
R364	1-249-417-11	CARBON 1K 5%	1/4W	R513	1-249-441-11	CARBON 100K 5%	1/4W
R365	1-249-441-11	CARBON 100K 5%	1/4W	R514	1-249-441-11	CARBON 100K 5%	1/4W
R366	1-249-437-11	CARBON 47K 5%	1/4W	R515	1-249-434-11	CARBON 27K 5%	1/4W
R367	1-249-437-11	CARBON 47K 5%	1/4W	R516	1-249-426-11	CARBON 5.6K 5%	1/4W
R368	1-249-441-11	CARBON 100K 5%	1/4W	R517	1-249-418-11	CARBON 1.2K 5%	1/4W
R370	1-249-425-11	CARBON 4.7K 5%	1/4W	R518	1-249-413-11	CARBON 470 5%	1/4W
R371	1-249-429-11	CARBON 10K 5%	1/4W				(D650Z/DE705)
R397	1-249-417-11	CARBON 1K 5%	1/4W	R518	1-249-442-11	CARBON 510 5%	1/4W
R398	1-249-425-11	CARBON 4.7K 5%	1/4W				(D550Z/DE605)
R401	1-249-417-11	CARBON 1K 5%	1/4W	R519	1-249-431-11	CARBON 15K 5%	1/4W
R402	1-249-417-11	CARBON 1K 5%	1/4W	R521	1-249-417-11	CARBON 1K 5%	1/4W
R407	1-249-417-11	CARBON 1K 5%	1/4W	R523	1-249-438-11	CARBON 56K 5%	1/4W
R408	1-249-431-11	CARBON 15K 5%	1/4W	R524	1-249-413-11	CARBON 470 5%	1/4W
R409	1-249-407-11	CARBON 150 5%	1/4W	R525	1-249-412-11	CARBON 390 5%	1/4W
R410	1-249-436-11	CARBON 39K 5%	1/4W	R526	1-249-438-11	CARBON 56K 5%	1/4W
R411	1-249-439-11	CARBON 68K 5%	1/4W	R551	1-249-417-11	CARBON 1K 5%	1/4W
R412	1-247-903-00	CARBON 1M 5%	1/4W	R552	1-249-441-11	CARBON 100K 5%	1/4W
R432	1-249-441-11	CARBON 100K 5%	1/4W	R553	1-249-413-11	CARBON 470 5%	1/4W
R433	1-249-437-11	CARBON 47K 5%	1/4W	R554	1-249-440-11	CARBON 82K 5%	1/4W
R434	1-249-441-11	CARBON 100K 5%	1/4W	R555	1-249-433-11	CARBON 22K 5%	1/4W
R435	1-249-437-11	CARBON 47K 5%	1/4W	R556	1-249-413-11	CARBON 470 5%	1/4W
				R557	1-249-427-11	CARBON 6.8K 5%	1/4W

SURROUND

TUNER SWITCH

VIDEO

Ref. No.	Part No.	Description	Remark
R558	1-247-883-00	CARBON 150K	5% 1/4W
R559	1-249-423-11	CARBON 3.3K	5% 1/4W
R560	1-247-903-00	CARBON 1M	5% 1/4W
R561	1-249-441-11	CARBON 100K	5% 1/4W
R562	1-249-426-11	CARBON 5.6K	5% 1/4W
R563	1-249-441-11	CARBON 100K	5% 1/4W
R564	1-249-441-11	CARBON 100K	5% 1/4W
R565	1-249-434-11	CARBON 27K	5% 1/4W
R566	1-249-426-11	CARBON 5.6K	5% 1/4W
R567	1-249-418-11	CARBON 1.2K	5% 1/4W
R568	1-249-413-11	CARBON 470	5% 1/4W (D650Z/DE705)
R568	1-249-442-11	CARBON 510	5% 1/4W (D550Z/DE605)
R569	1-249-431-11	CARBON 15K	5% 1/4W
R592	1-249-397-11	CARBON 22	5% 1/4W
R593	1-249-397-11	CARBON 22	5% 1/4W
R594	1-247-903-00	CARBON 1M	5% 1/4W
R595	1-249-425-11	CARBON 4.7K	5% 1/4W
R596	1-249-419-11	CARBON 1.5K	5% 1/4W
R597	1-249-419-11	CARBON 1.5K	5% 1/4W
R598	1-249-425-11	CARBON 4.7K	5% 1/4W
R599	1-249-417-11	CARBON 1K	5% 1/4W
		< TERMINAL >	
TM401	1-537-734-11	TERMINAL BOARD, ANT (ANTENNA)	
		< TUNER >	
TU401	1-233-592-11	ENCAPSULATED COMPONENT (EXCEPT AUS)	
TU401	1-693-287-11	TUNER (CE) (AUS)	
		< VIBRATOR >	
X401	1-579-952-21	VIBRATOR, CERAMIC (8.00MHz)	

*	1-660-474-11	TUNER SWITCH BOARD	*****
		< CONNECTOR >	
* CNP109	1-565-295-11	PLUG, CONNECTOR 4P	
		< RESISTOR >	
R170	1-249-411-11	CARBON 330	5% 1/4W
R171	1-249-413-11	CARBON 470	5% 1/4W
R172	1-249-415-11	CARBON 680	5% 1/4W
R173	1-249-417-11	CARBON 1K	5% 1/4W
R174	1-249-419-11	CARBON 1.5K	5% 1/4W
R175	1-249-421-11	CARBON 2.2K	5% 1/4W
R176	1-249-425-11	CARBON 4.7K	5% 1/4W
R177	1-249-429-11	CARBON 10K	5% 1/4W
R178	1-249-433-11	CARBON 22K	5% 1/4W

Ref. No.	Part No.	Description	Remark
		< SWITCH >	
S150	1-554-303-21	SWITCH, TACTILE (TUNING/INDEX SELECTOR +)	
S151	1-554-303-21	SWITCH, TACTILE (PRESET TUNING +)	
S152	1-554-303-21	SWITCH, TACTILE (PRESET TUNING -)	
S153	1-554-303-21	SWITCH, TACTILE (SHIFT)	
S154	1-554-303-21	SWITCH, TACTILE (FM/AM)	
S155	1-554-303-21	SWITCH, TACTILE (TUNING/INDEX SELECTOR -)	
S156	1-554-303-21	SWITCH, TACTILE (LEVEL)	
S157	1-554-303-21	SWITCH, TACTILE (FM MODE)	
S158	1-554-303-21	SWITCH, TACTILE (MEMORY)	
S159	1-554-303-21	SWITCH, TACTILE (DISPLAY)	

*	A-4390-099-A	VIDEO BOARD, COMPLETE	*****
		< CAPACITOR >	
C231	1-124-903-11	ELECT 1uF	20% 50V
C233	1-124-903-11	ELECT 1uF	20% 50V
C234	1-124-903-11	ELECT 1uF	20% 50V
C235	1-124-907-11	ELECT 10uF	20% 50V
C236	1-124-907-11	ELECT 10uF	20% 50V
C237	1-124-907-11	ELECT 10uF	20% 50V
C239	1-104-665-11	ELECT 100uF	20% 16V
C241	1-104-665-11	ELECT 100uF	20% 16V
C242	1-164-159-11	CERAMIC 0.1uF	50V
C243	1-164-159-11	CERAMIC 0.1uF	50V
C244	1-164-159-11	CERAMIC 0.1uF	50V
		< CONNECTOR >	
CNJ201	1-750-179-11	SOCKET, CONNECTOR 5P	
		< IC >	
IC201	8-759-061-95	IC SN761200N	
		< JACK >	
J201	1-695-317-21	JACK, PIN 2P (MONITOR VIDEO OUT,TV/DBS VIDEO IN)	
J202	1-695-317-21	JACK, PIN 2P (VIDEO 2:VIDEO OUT,VIDEO IN)	
J203	1-695-317-21	JACK, PIN 2P (VIDEO 1:VIDEO OUT,VIDEO IN)	
		< COIL >	
L202	1-410-521-11	INDUCTOR 100uH	
L203	1-410-521-11	INDUCTOR 100uH	
		< TRANSISTOR >	
Q231	8-729-119-76	TRANSISTOR 2SA1115TP-EF	
Q232	8-729-119-76	TRANSISTOR 2SA1115TP-EF	
Q233	8-729-620-05	TRANSISTOR 2SC2603TP-EF	
Q234	8-729-620-05	TRANSISTOR 2SC2603TP-EF	
Q235	8-729-620-05	TRANSISTOR 2SC2603TP-EF	

Ref. No.	Part No.	Description	Remark			
Q236	8-729-119-76	TRANSISTOR 2SA1115TP-EF				
< RESISTOR >						
R201	1-249-403-11	CARBON	68	5%	1/4W	
R203	1-249-403-11	CARBON	68	5%	1/4W	
R204	1-249-403-11	CARBON	68	5%	1/4W	
R235	1-249-403-11	CARBON	68	5%	1/4W	
R236	1-249-403-11	CARBON	68	5%	1/4W	
R237	1-249-430-11	CARBON	12K	5%	1/4W	
R238	1-249-419-11	CARBON	1.5K	5%	1/4W	
R239	1-249-426-11	CARBON	5.6K	5%	1/4W	
R240	1-249-403-11	CARBON	68	5%	1/4W	
R241	1-249-403-11	CARBON	68	5%	1/4W	
R242	1-249-430-11	CARBON	12K	5%	1/4W	
R243	1-249-419-11	CARBON	1.5K	5%	1/4W	
R244	1-249-426-11	CARBON	5.6K	5%	1/4W	
R245	1-249-403-11	CARBON	68	5%	1/4W	
R246	1-249-403-11	CARBON	68	5%	1/4W	
R247	1-249-426-11	CARBON	5.6K	5%	1/4W	
R248	1-249-419-11	CARBON	1.5K	5%	1/4W	
R249	1-249-430-11	CARBON	12K	5%	1/4W	
R250	1-247-807-31	CARBON	100	5%	1/4W	

*	A-4390-097-A	VOLUME BOARD, COMPLETE	*****			
< CAPACITOR >						
C442	1-126-963-11	ELECT	4.7uF	20%	50V	
C443	1-164-159-11	CERAMIC	0.1uF		50V	
C445	1-164-159-11	CERAMIC	0.1uF		50V	
C492	1-126-963-11	ELECT	4.7uF	20%	50V	
C495	1-164-159-11	CERAMIC	0.1uF		50V	
< CONNECTOR >						
CNJ407	1-568-440-11	SOCKET, CONNECTOR 17P				
* CNP103	1-770-392-11	PIN, CONNECTOR (PC BOARD) 8P				
* CNP107	1-770-394-11	PIN, CONNECTOR (PC BOARD) 10P				
< IC >						
IC403	8-759-634-51	IC M5218AP				
< TRANSISTOR >						
Q404	8-729-141-30	TRANSISTOR 2SC3623ATP-LK				
Q406	8-729-141-30	TRANSISTOR 2SC3623ATP-LK				
Q407	8-729-141-30	TRANSISTOR 2SC3623ATP-LK				
< RESISTOR >						
R411	1-249-441-11	CARBON	100K	5%	1/4W	
R413	1-249-441-11	CARBON	100K	5%	1/4W	
R414	1-249-429-11	CARBON	10K	5%	1/4W	
R415	1-249-433-11	CARBON	22K	5%	1/4W	
R416	1-249-413-11	CARBON	470	5%	1/4W	

Ref. No.	Part No.	Description	Remark			
R417	1-249-425-11	CARBON	4.7K	5%	1/4W	
R418	1-249-413-11	CARBON	470	5%	1/4W	
R419	1-249-425-11	CARBON	4.7K	5%	1/4W	
R461	1-249-441-11	CARBON	100K	5%	1/4W	
R463	1-249-441-11	CARBON	100K	5%	1/4W	
R464	1-249-429-11	CARBON	10K	5%	1/4W	
R465	1-249-429-11	CARBON	10K	5%	1/4W	
R466	1-249-413-11	CARBON	470	5%	1/4W	
R468	1-249-413-11	CARBON	470	5%	1/4W	
R469	1-249-425-11	CARBON	4.7K	5%	1/4W	
< VARIABLE RESISTOR >						
RV401	1-225-281-11	RES, VAR, CARBON 100KX4 (MASTER VOLUME)	*****			
MISCELLANEOUS						

11	1-773-154-11	WIRE (FLAT TYPE) (21 CORE)				
13	1-773-230-11	WIRE (FLAT TYPE) (25 CORE)				
54	1-533-399-31	HOLDER, FUSE				
66	1-769-913-11	WIRE (FLAT TYPE) (9 CORE) (DE705:US,CND)				
△ 78	1-696-847-11	CORD, POWER (AUS)				
△ 78	1-769-743-11	CORD, POWER (EXCEPT AUS)				
79	1-773-040-11	WIRE (FLAT TYPE) (17 CORE)				
△ F801	1-533-311-11	FUSE, GLASS CYLINDRICAL (DIA.5) (8A 125V) (D650Z/DE705:US,CND)				
△ F801	1-533-310-11	FUSE, GLASS TUBE (6.3A 125V) (D550Z/DE605)				
△ F801	1-532-506-51	FUSE, TIME LAG (T6.3AL 250V) (DE705:AUS)				
△ F802	1-533-311-11	FUSE, GLASS CYLINDRICAL (DIA.5) (8A 125V) (D650Z/DE705:US,CND)				
△ F802	1-533-310-11	FUSE, GLASS TUBE (6.3A 125V) (D550Z/DE605)				
△ F802	1-532-506-51	FUSE, TIME LAG (T6.3AL 250V) (AUS)				
△ F803	1-576-108-11	FUSE (4A 125V) (EXCEPT AUS)				
△ F803	1-532-504-51	FUSE, TIME LAG (T4AL 250V) (AUS)				
△ F804	1-576-108-11	FUSE (4A 125V) (EXCEPT AUS)				
△ F804	1-532-504-51	FUSE, TIME LAG (T4AL 250V) (AUS)				
△ F901	1-533-311-11	FUSE, GLASS CYLINDRICAL (DIA.5) (8A 125V) (D650Z/DE705:US,CND)				
△ F901	1-533-310-11	FUSE, GLASS TUBE (6.3A 125V) (D550Z/DE605)				
△ F901	1-532-506-51	FUSE, TIME LAG (T6.3AL 250V) (AUS)				
△ F902	1-532-464-51	FUSE, TIME LAG (T2.5AL 250V) (AUS)				
△ T901	1-429-541-11	TRANSFORMER, POWER (D650Z:US/DE705:US)				
△ T901	1-429-544-11	TRANSFORMER, POWER (DE705:AUS)				
△ T901	1-429-564-11	TRANSFORMER, POWER (D650Z:CND/DE705:CND)				
△ T901	1-429-608-11	TRANSFORMER, POWER (D550Z/DE605:US)				
△ T901	1-429-609-11	TRANSFORMER, POWER (DE605:CND)				

ACCESSORIES & PACKING MATERIALS						

	1-473-629-11	REMOTE COMMANDER (RM-P362) (EXCEPT D550Z/DE605:US)				

<p>The components identified by mark △ or dotted line with mark △ are critical for safety. Replace only with part number specified.</p>	<p>Les composants identifiés par une marque △ sont critiques pour la sécurité. Ne les remplacer que par une pièce portant le numéro spécifié.</p>
---	---

STR-D550Z/D650Z/DE605/DE705

<u>Ref. No.</u>	<u>Part No.</u>	<u>Description</u>	<u>Remark</u>
	1-473-657-11	REMOTE COMMANDER (RM-U262) (D550Z/DE605:US)	
	1-501-374-11	ANTENNA, LOOP	
	1-776-258-11	CORD, AVC CONNECTION (VIDEO CABLE) (DE705:US,Canadian)	
	1-777-172-11	CORD, CONNECTION (AUDIO CABLE) (DE705:US,Canadian)	
	3-810-765-11	MANUAL,COMMONNESS INSTRUCTION (ENGLISH) (DE705:US)	
	3-810-765-21	MANUAL,COMMONNESS INSTRUCTION (ENGLISH,FRENCH,GERMAN,SPANISH,DUTCH, SWEDISH,ITALIAN,PORTUGUESE,CHINESE) (DE705:CND,E)	
	3-856-169-12	MANUAL, INSTRUCTION (ENGLISH) (US,AUS)	
	3-856-169-21	MANUAL, INSTRUCTION (ENGLISH,FRENCH) (CND)	
	3-856-169-31	MANUAL, INSTRUCTION (ENGLISH,SPANISH,CHINESE) (E)	
	4-983-536-01	BATTERY COVER (FOR RM-P362) (D550Z/DE605:US)	
	4-983-536-01	BATTERY COVER (FOR RM-U262) (EXCEPT D550Z/DE605:US)	
*	4-982-139-02	CUSHION	
*	4-982-350-01	INDIVIDUAL CARTON (DE605)	
*	4-982-351-01	INDIVIDUAL CARTON (D550Z)	
*	4-982-358-01	INDIVIDUAL CARTON (DE705)	
*	4-982-359-01	INDIVIDUAL CARTON (D650Z)	

HARDWARE LIST			

#1	7-685-646-79	SCREW +BVTP 3X8 TYPE2 TT (B)	
#2	7-682-548-04	SCREW +BVTT 3X8 (S)	

<p>The components identified by mark \triangle or dotted line with mark \triangle are critical for safety. Replace only with part number specified.</p>	<p>Les composants identifiés par une marque \triangle sont critiques pour la sécurité. Ne les remplacer que par une pièce portant le numéro spécifié.</p>
---	--